

REV	DESCRIPTION	DRW.	DATE
00	初版发行	G. X. Y	2024.10.10

Notes/备注:

1. Electrical properties/电气特性

UL Standard/UL标准	Use Group/应用组别	B	C	D
	Rated Voltage/额定电压 (V)	300	/	300
	Rated Current/额定电流 (A)	20	/	10
	Withstanding voltage/工频耐受电压	AC2000V/1Min		

IEC Standard/IEC标准

Rated Voltage/额定电压 (V): 320  
Rated Current/额定电流 (A): 25

Overvoltage Category/过电压类别 /Pollution Degree/污染等级	II/2	III/2	III/3
Voltage/电压 (V)	630	320	250
Rated Impulse Voltage/冲击耐受电压(kV)	4	4	4

2. Connection data/连接数据

Wire range/线径范围(AWG/mm<sup>2</sup>): 20~12/0.5~4

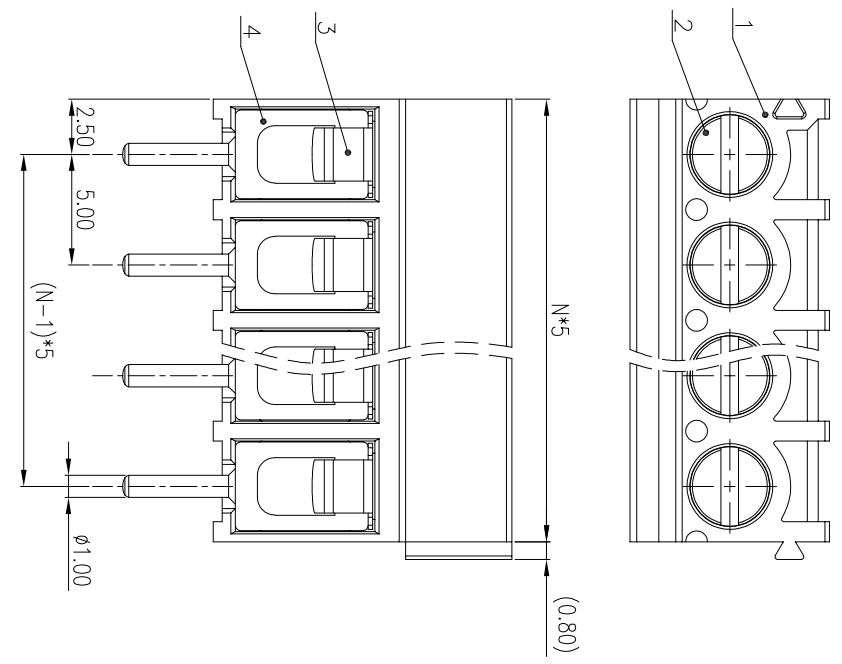
Stripping length/剥线长度(mm): 6

Wire tightening torque/导线扭矩(N.m): 0.5

3. Environmental safety/环境安全

Operating temperature/工作温度范围(°C): -40~+105

RoHS compliant/符合RoHS环保要求



Part No./料号说明:

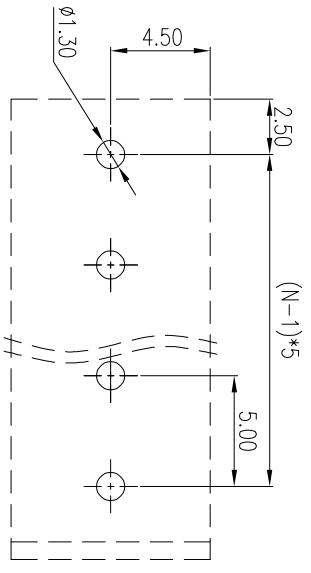
F132-5.0-XXP-1-X

产品型号  
间距: mm  
Poles/极数  
02: 2Poles  
03: 3Poles  
..: 16Poles

Color/颜色  
1: Brown/棕色  
2: Red/红色  
3: Orange/橙色  
4: Yellow/黄色  
5: Green/绿色  
6: Blue/蓝色  
7: Purple/紫色  
8: Grey/灰色  
9: White/白色  
A: Black/黑色

ITEM	NAME OF PART	MATERIAL	NOTES
4	Cage 方块	Copper Alloy	Sn Plated
3	SPRING 弹片	Stainless steel	/
2	SCREW 螺丝	Steel	M3/Zn Plated
1	HOUSING 主体	PA66	UL94 V-0

PCB LAYOUT



Nominal dimension Tolerances (mm)

0 to 18	over 18 to 30	over 30 to 50	over 50 to 80	over 80 to 120	over 120 to 180	over 180 to 250	over 250 to 320
±0.25	±0.3	±0.35	±0.5	±0.7	±0.9	±1.0	±1.2



昆山艾尼维尔电子有限公司  
KUN SHAN AINEWELL ELECTRONICS CO.,LTD

PART NO.: F132-5.0-XXP-1-X

APP. CHK.	DATE:	DATE:
DRW. G.X.Y	DATE: 2024.10.10	

PROJECTION: UNITS: mm SCALE: 4:1 SHEET/OF: 1/1

DRAWING TYPE: Customer Drawing