

REV	DESCRIPTION	DRW.	DATE
V0	初版发行	C.W	2024.07.10

Notes/备注:

1. Electrical properties/电气特性
UL Standard/UL标准

Use Group/应用组别	B	C	D
Rated Voltage/额定电压 (V)	300	/	300
Rated Current/额定电流 (A)	20	/	10
Withstanding voltage/工频耐电压	AC 1600V/1Min		

IEC Standard/IEC标准

Rated Voltage/额定电压 (V): 630
Rated Current/额定电流 (A): 24

Overvoltage Category/过电压类别 /Pollution Degree/污染等级	II/2	III/2	III/3
Voltage/电压 (V)	1000	630	500
Rated Impulse Voltage/冲击耐电压(KV)	6	6	6

2. Connection data/连接数据

Wire range/线径范围(AWG/mm²): 28~12/0.2~2.5
Stripping length/剥线长度(mm): 6~7
Wire tightening torque/导线扭矩(N.m): 0.5~0.6

3. Environmental safety/环境安全

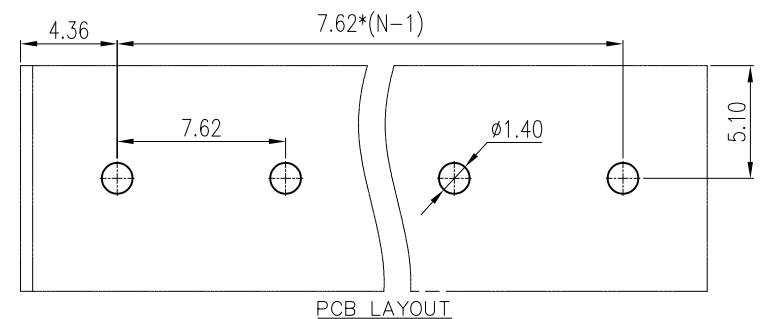
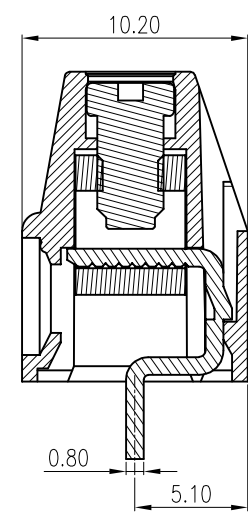
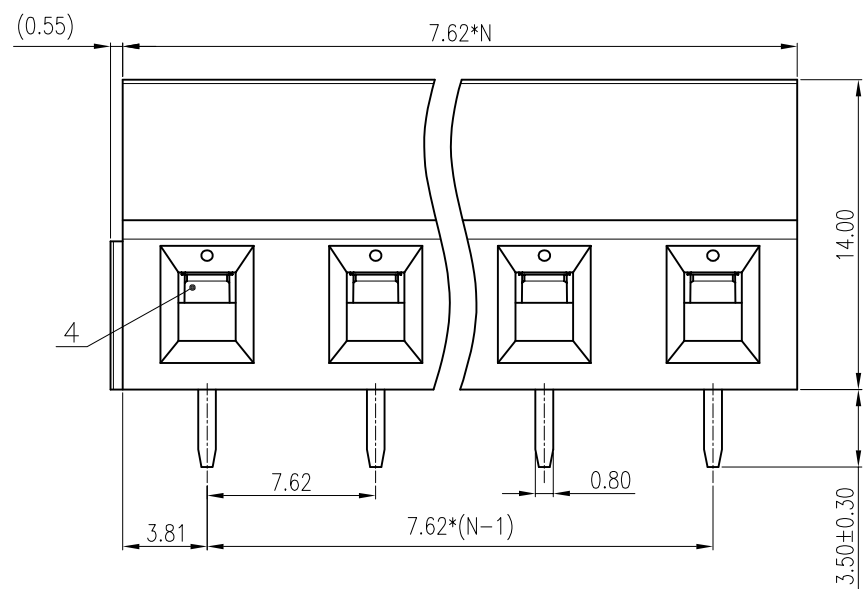
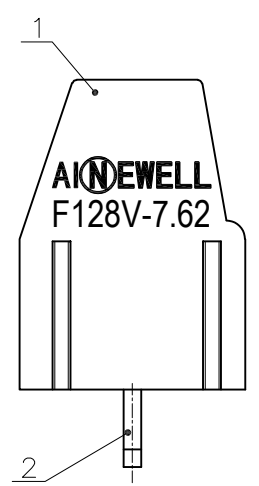
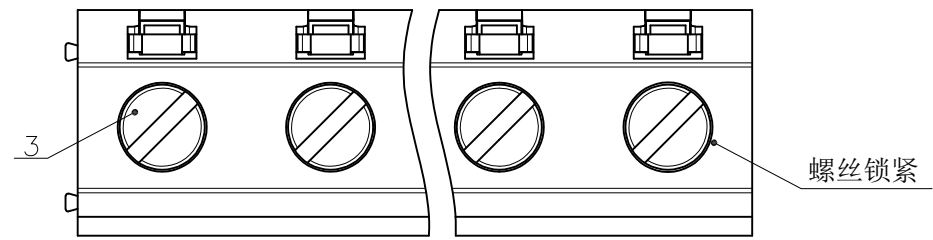
Operating temperature/工作温度范围(°C): -40~+105
RoHS compliant/符合RoHS环保要求

料号	颜色	1/棕	2/红	3/橙	4/黄	5/绿	6/蓝	7/紫	8/灰	9/白	A/黑
L014P040XX						5001					A001

4	F128V-5.0-方块	TC00007300	N	Copper Alloy	M3/Ni Plated
3	F128V-5.0-端子螺丝(一字)	TS00014410	N	Steel	M3/Zn Plated
2	F128V-5.0-端子	L014M01100	N	Brass	Sn Plated
1	F128V-7.62-XXP-主体	L014P040XX	1	PA66	UL94 V-0

ITEM	NAME OF PART	NO. OF PART	Q"TY	MATERIAL	NOTES
APP. C.W	DATE: 2024.07.10	PART No: F128V-7.62-XXP-1-X-01			
CHK. M.C.N	DATE: 2024.07.10				
DRW. C.W	DATE: 2024.07.10	DARWING TYPE: Production Drawing			
PROJECTION		UNITS: mm	SCALE: 4:1	SHEET/OF: 1/1	

AINEWELL 苏州凯若思电子有限公司
SUZHOU CANRENS ELECTRONICS CO.,LTD



Nominal dimension Tolerances (mm)							\triangleleft	\equiv	\perp	-	//			
0	over 18	over 30	over 50	over 80	over 120	over 180	over 250	all	all	all	over 0 to 100	over 100 to 150		
to 18	to 30	to 50	to 80	to 120	to 180	to 250	to 320				to 100	to 150		
	±0.2	±0.25	±0.3	±0.4	±0.5	±0.65	±0.8	±1	±1.5	0.3	0.3	0.3	0.4	0.6