

REV	DESCRIPTION	DRW.	DATE
00	初版发行	T.P.W	2023.11.13

Notes/备注:

1. Electrical properties/电气特性  
UL Standard/UL 标准

Use Group/应用组别	B	C	D
Rated Voltage/额定电压 (V)	300	/	300
Rated Current/额定电流 (A)	12	/	10
Withstanding voltage/工频耐电压	AC 1600V/1Min		

IEC Standard/IEC 标准

Rated Voltage/额定电压 (V): 200  
Rated Current/额定电流 (A): 16

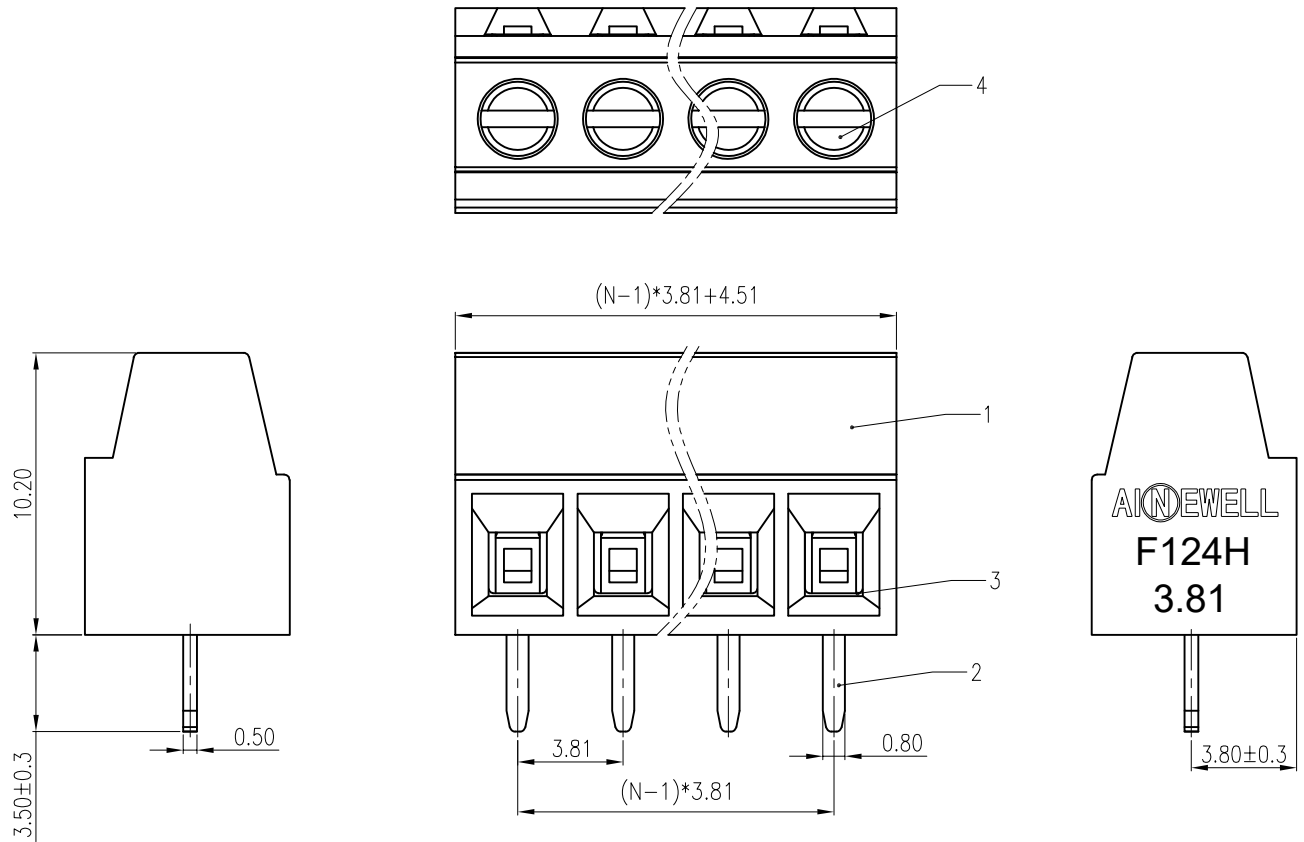
Overvoltage Category/过电压类别 /Pollution Degree/污染等级	II/2	III/2	III/3
Voltage/电压 (V)	400	200	160
Rated Impulse Voltage/冲击耐电压(KV)	2.5	2.5	2.5

2. Connection data/连接数据

Wire range/线径范围(AWG/mm<sup>2</sup>): 30~14/0.2~1.5  
Stripping length/剥线长度(mm): 5~6  
Wire tightening torque/导线扭矩(N.m): 0.2

3. Environmental safety/环境安全

Operating temperature/工作温度范围(°C): -40~+105  
RoHS compliant/符合RoHS环保要求



Part No./料号说明:

F124H-3.81-XXP-1-X

Poles/P数	Color/颜色	
02: 2Poles	1: Brown/棕色	6: Blue/蓝色
03: 3Poles	2: Red/红色	7: Purple/紫色
...	3: Orange/橙色	8: Grey/灰色
24: 24Poles	4: Yellow/黄色	9: White/白色
	5: Green/绿色	A: Black/黑色

ITEM	NAME OF PART	MATERIAL	NOTES
4	SCREW 螺丝	Steel	M2/Ni Plated
3	Cage 方块	Copper alloy	Ni Plated
2	PIN HEADER 焊针	Copper Alloy	Sn Plated
1	HOUSING 主体	PA66	Black/UL94 V-0

Nominal dimension		Tolerances (mm)						
0	over 18	over 30	over 50	over 80	over 120	over 180	over 250	
to 18	to 30	to 50	to 80	to 120	to 180	to 250	to 320	
	±0.25	±0.3	±0.35	±0.5	±0.7	±0.9	±1.0	
							±1.2	

APP.	DATE:	PART NO.: <b>F124H-3.81-XXP-1-X</b>	
CHK.	DATE:		
DRW. T.P.W	DATE: 2023.11.13	DARWING TYPE: Customer Drawing	
PROJECTION		UNITS: mm	SCALE: 5:1 SHEET/OF: 1/1
<b>AINEWELL</b>		昆山艾尼维尔电子有限公司 KUN SHAN AINEWELL ELECTRONICS CO.,LTD	