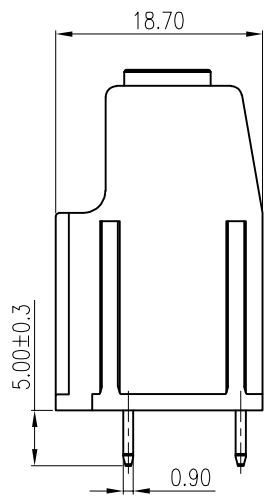
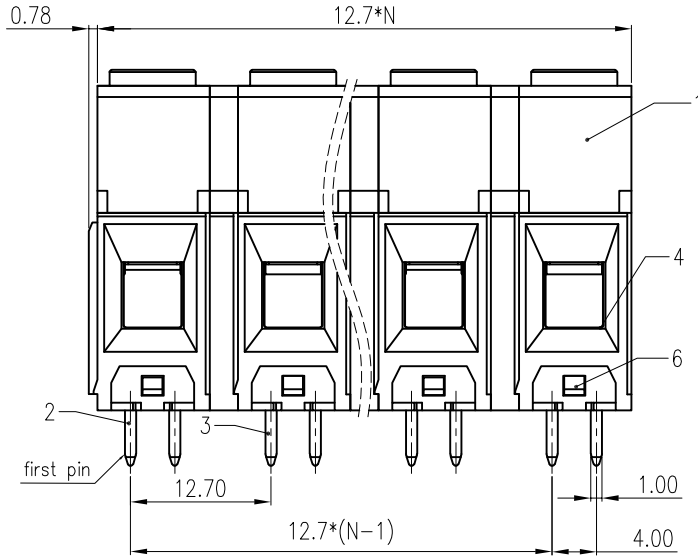
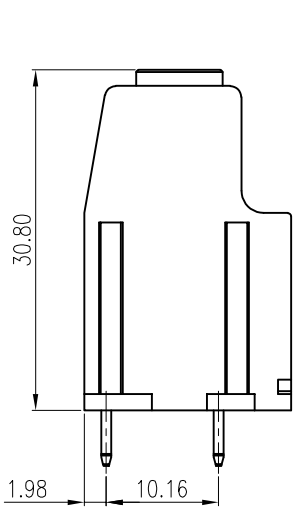
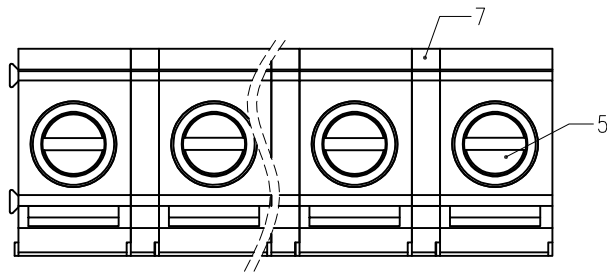


REV	DESCRIPTION	DRW.	DATE
00	初版发行	T.P.W	2024.04.11



Notes/备注:

1. Electrical properties/电气特性
UL Standard/UL 标准

Use Group/应用组别	B	C	D
Rated Voltage/额定电压 (V)	600	600	/
Rated Current/额定电流 (A)	60	60	/
Withstanding voltage/工频耐电压	AC 2500V/1Min		

IEC Standard/IEC 标准

Rated Voltage/额定电压 (V): 800
Rated Current/额定电流 (A): 60

Overvoltage Category/过电压类别 /Pollution Degree/污染等级	II/2	III/2	III/3
Voltage/电压 (V)	800	800	1000
Rated Impulse Voltage/冲击耐电压(KV)	8	8	8

2. Connection data/连接数据

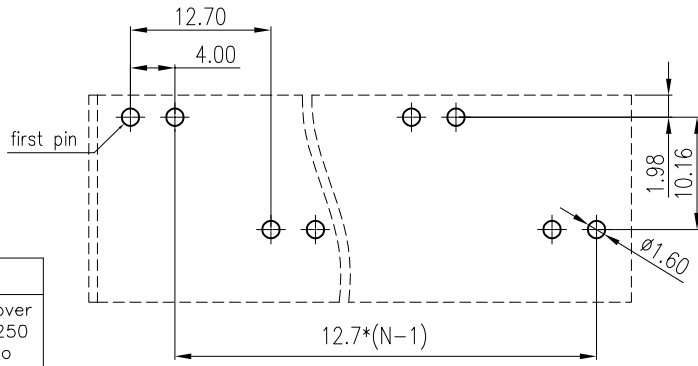
Wire range/线径范围(AWG/mm²): 20~6/0.5~16
Stripping length/剥线长度(mm): 10
Wire tightening torque/导线扭矩(N.m): 1.2~1.5

3. Environmental safety/环境安全

Operating temperature/工作温度范围(°C): -40~+105
RoHS compliant/符合RoHS环保要求

Part No./料号说明:

F138T-12.7-XXP-1-X



Poles/P数
02: 2Poles
03: 3Poles
...
12: 12Poles

Color/颜色
1: Brown/棕色
2: Red/红色
3: Orange/橙色
4: Yellow/黄色
5: Green/绿色
6: Blue/蓝色
7: Purple/紫色
8: Grey/灰色
9: White/白色
A: Black/黑色

ITEM	NAME OF PART	MATERIAL	NOTES
7	Clapboard 隔片	PA66	UL94 V-0
6	Cover 盖板	PA66	UL94 V-0
5	SCREW 螺丝	Steel	M4/Nz Plated
4	Cage 方块	Copper Alloy	Ni Plated
3	PIN HEADER 焊针 2	Copper Alloy	Sn Plated
2	PIN HEADER 焊针 1	Copper Alloy	Sn Plated
1	HOUSING 主体	PA66	UL94 V-0

Nominal dimension Tolerances (mm)							
	over 18 to 30	over 30 to 50	over 50 to 80	over 80 to 120	over 120 to 180	over 180 to 250	over 250 to 320
±0.25	±0.3	±0.35	±0.5	±0.7	±0.9	±1.0	±1.2

APP.	DATE:	PART NO.: F138T-12.7-XXP-1-X	
CHK.	DATE:		
DRW. T.P.W	DATE: 2024.04.11	DRAWING TYPE: Customer Drawing	
PROJECTION		UNITS: mm	SCALE: 2:1 SHEET/OF: 1/1
AINEWELL		昆山艾尼维尔电子有限公司 KUN SHAN AINEWELL ELECTRONICS CO.,LTD	