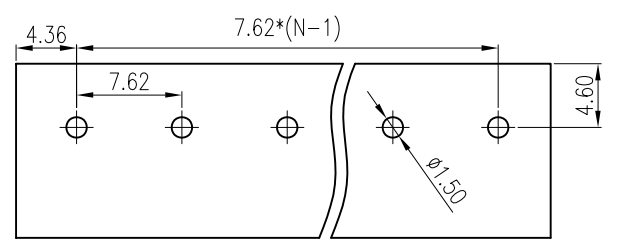
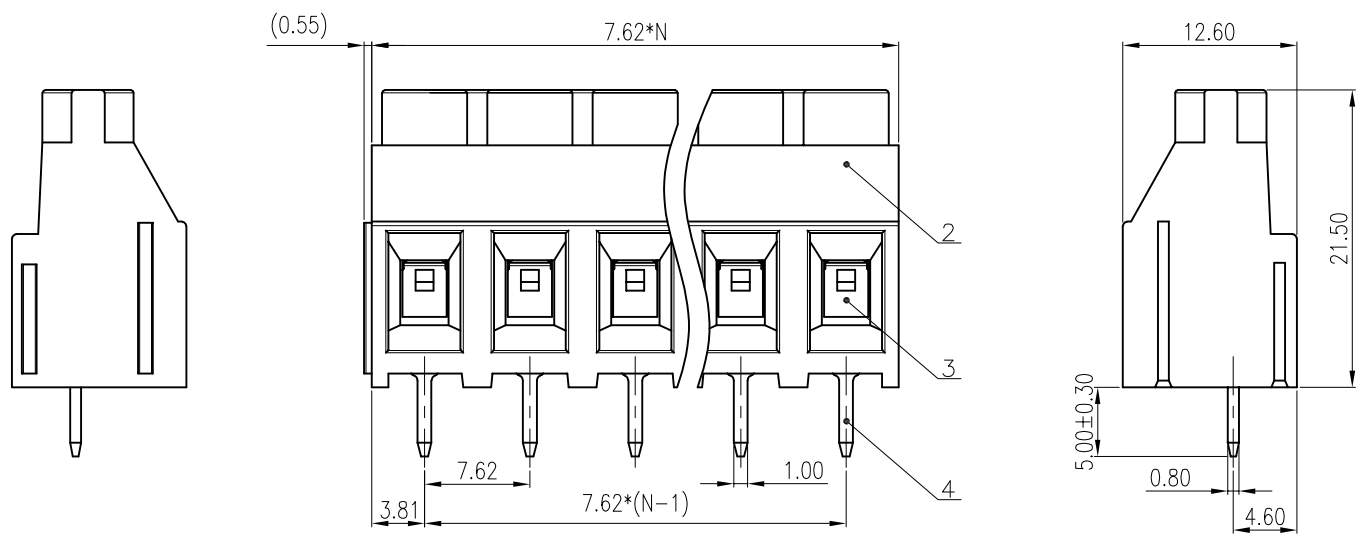
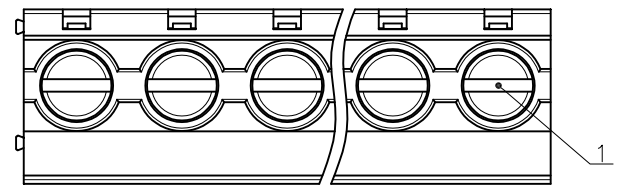


REV	DESCRIPTION	DRW.	DATE
00	初版发行	C.W	2022.11.16



Part No./料号说明:
F635-7.62-XXP-1-X

		Nominal dimension Tolerances (mm)						
		over 18	over 30	over 50	over 80	over 120	over 180	over 250
0	to 18	±0.25	±0.3	±0.35	±0.5	±0.7	±0.9	±1.0
18	to 320	±0.3	±0.5	±0.8	±1.2	±1.8	±2.5	±3.2

- Poles/P数
- 02: 2Poles
 - 03: 3Poles
 - ...
 - 12: 12Poles
- Color/颜色
- 1: Brown/棕色
 - 2: Red/红色
 - 3: Orange/橙色
 - 4: Yellow/黄色
 - 5: Green/绿色
 - 6: Blue/蓝色
 - 7: Purple/紫色
 - 8: Grey/灰色
 - 9: White/白色
 - A: Black/黑色

Notes/备注:

1. Electrical properties/电气特性
UL Standard/UL 标准

Use Group/应用组别	B	C	D
Rated Voltage/额定电压 (V)	300	/	300
Rated Current/额定电流 (A)	30	/	10
Withstanding voltage/工频耐电压	AC 1600V/1Min		

IEC Standard/IEC 标准

Rated Voltage/额定电压 (V): 630
Rated Current/额定电流 (A): 32

Overvoltage Category/过电压类别 /Pollution Degree/污染等级	II/2	III/2	III/3
Voltage/电压 (V)	1000	630	500
Rated Impulse Voltage/冲击耐电压 (KV)	6	6	6

2. Connection data/连接数据

Wire range/线径范围 (AWG/mm²): 26~10/0.2~4
Stripping length/剥线长度 (mm): 8~9
Wire tightening torque/导线扭矩 (N.m): 0.5~0.6

3. Environmental safety/环境安全

Operating temperature/工作温度范围 (°C): -40~+105
RoHS compliant/符合RoHS环保要求

ITEM	NAME OF PART	MATERIAL	NOTES
4	SOLDER PIN 端子	Copper Alloy	Sn Plated
3	CAGE 方块	Copper Alloy	M3/Ni Plated
2	HOUSING 主体	PA66	UL94 V-0
1	SCREW 螺丝	Steel	M3/Zn Plated

APP.	DATE:	PART NO.: F635-7.62-XXP-1-X	
CHK.	DATE:		
DRW. C.W	DATE: 2022.11.16	DARWING TYPE: Customer Drawing	
PROJECTION		UNITS: mm	SCALE: 2.5:1 SHEET/OF: 1/1
AINEWELL		昆山艾尼维尔电子有限公司 KUN SHAN AINEWELL ELECTRONICS CO.,LTD	