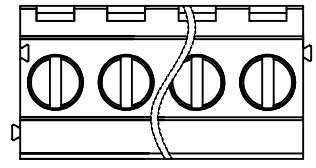
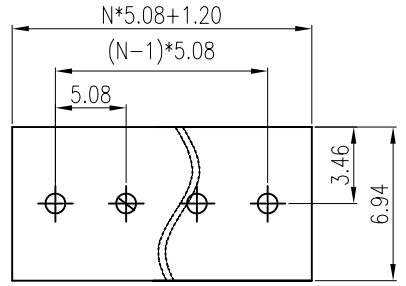
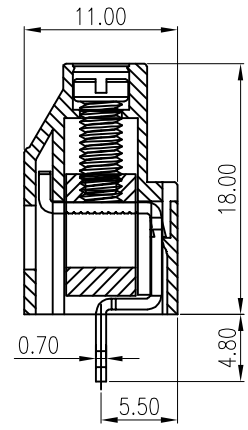
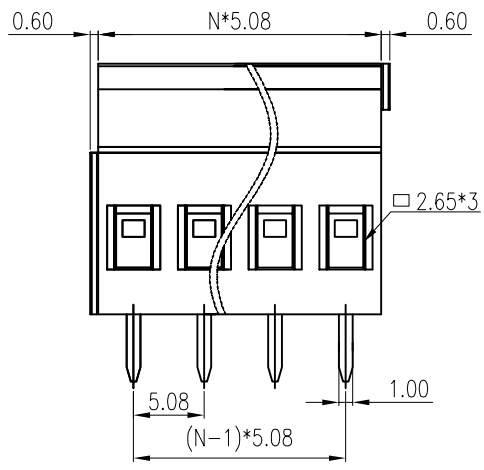


| REV | DESCRIPTION | DRW. | DATE |
|-----|-------------|-------|------------|
| 00 | 初版发行 | M.C.N | 2022.10.13 |



N=Number of contacts



P.C.B. LAYOUT

Notes/备注:

1. Electrical properties/电气特性
UL Standard/UL 标准

| Use Group/应用组别 | B | C | D |
|----------------------------|---------------|---|-----|
| Rated Voltage/额定电压 (V) | 300 | / | 300 |
| Rated Current/额定电流 (A) | 20 | / | 10 |
| Withstanding voltage/工频耐电压 | AC 1600V/1Min | | |

IEC Standard/IEC 标准

Rated Voltage/额定电压 (V): 320
Rated Current/额定电流 (A): 24

| Overvoltage Category/过电压类别 /Pollution Degree/污染等级 | II/2 | III/2 | III/3 |
|--|------|-------|-------|
| Voltage/电压 (V) | 630 | 320 | 250 |
| Rated Impulse Voltage/冲击耐电压(KV) | 4 | 4 | 4 |

2. Connection data/连接数据

Wire range/线径范围(AWG/mm²): 26~12/0.2~2.5
Stripping length/剥线长度(mm): 7~8
Wire tightening torque/锁线扭矩(N.m): 0.5~0.6

3. Environmental safety/环境安全

Operating temperature/工作温度范围(°C): -40~+105
RoHS compliant/符合RoHS环保要求

Part No./料号说明:

F130-5.08-XXP-1-X

| Poles/P数 | Color/颜色 |
|-------------|--------------------------|
| 02: 2Poles | 1: Brown/棕色 6: Blue/蓝色 |
| 03: 3Poles | 2: Red/红色 7: Purple/紫色 |
| ... | 3: Orange/橙色 8: Grey/灰色 |
| 24: 24Poles | 4: Yellow/黄色 9: White/白色 |
| | 5: Green/绿色 A: Black/黑色 |

| Nominal dimension Tolerances (mm) | | | | | | | |
|-----------------------------------|---------|---------|---------|---------|----------|----------|----------|
| 0 | over 18 | over 30 | over 50 | over 80 | over 120 | over 180 | over 250 |
| to 18 | to 30 | to 50 | to 80 | to 120 | to 180 | to 250 | to 320 |
| | ±0.25 | ±0.3 | ±0.35 | ±0.5 | ±0.7 | ±0.9 | ±1.0 |
| | | | | | | | ±1.2 |

| | | | |
|------------|------------------|---|----------------------------|
| APP. | DATE: | PART NO.: F130-5.08-XXP-1-X | |
| CHK. | DATE: | | |
| DRW. M.C.N | DATE: 2022.10.13 | DARWING TYPE: Customer Drawing | |
| PROJECTION | | UNITS: mm | SCALE: 2.5:1 SHEET/OF: 1/1 |
| | | 昆山艾尼维尔电子有限公司 KUN SHAN AINEWELL ELECTRONICS CO.,LTD | |