

REV	DESCRIPTION	DRW.	DATE
00.1	初版发行	C.W	2022.10.09

Notes/备注:

1. Electrical properties/电气特性
UL Standard/UL 标准

Use Group/应用组别	B	C	D
Rated Voltage/额定电压 (V)	300	/	300
Rated Current/额定电流 (A)	20	/	10
Withstanding voltage/工频耐电压	AC 1600V/1Min		

IEC Standard/IEC 标准

Rated Voltage/额定电压 (V): 320
Rated Current/额定电流 (A): 24

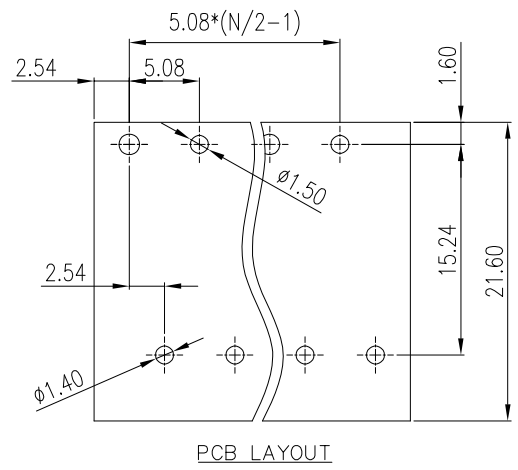
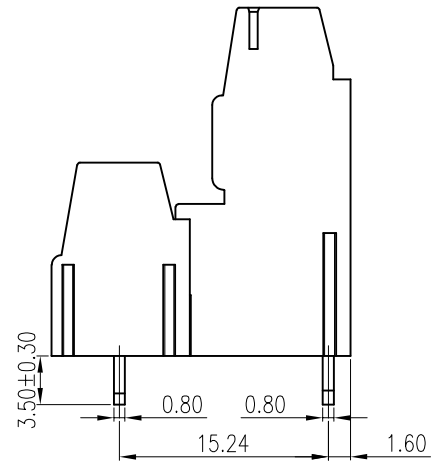
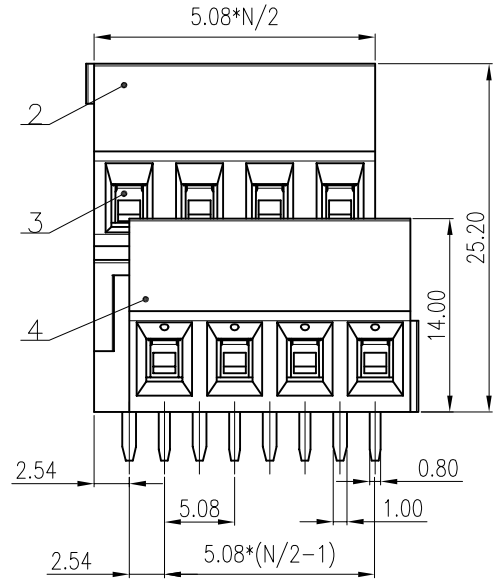
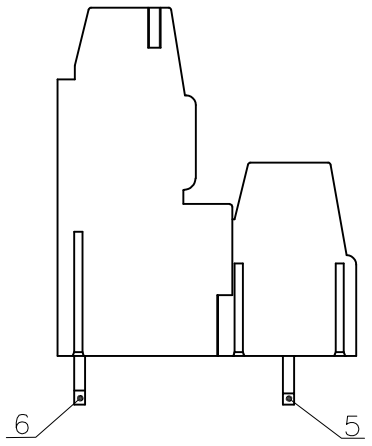
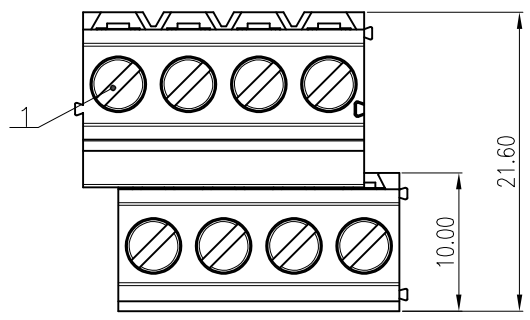
Overvoltage Category/过电压类别 /Pollution Degree/污染等级	II/2	III/2	III/3
Voltage/电压 (V)	630	320	250
Rated Impulse Voltage/冲击耐电压(KV)	4	4	4

2. Connection data/连接数据

Wire range/线径范围(AWG/mm²): 28~12/0.2~2.5
Stripping length/剥线长度(mm): 6~7
Wire tightening torque/导线扭矩(N.m): 0.5~0.6

3. Environmental safety/环境安全

Operating temperature/工作温度范围(°C): -40~+105
RoHS compliant/符合RoHS环保要求



Part No./料号说明:

F128A-5.08-XXP-1-X

Poles/P数	Color/颜色
04: 4Poles	1: Brown/棕色
06: 6Poles	2: Red/红色
...	3: Orange/橙色
48: 48Poles	4: Yellow/黄色
	5: Green/绿色
	6: Blue/蓝色
	7: Purple/紫色
	8: Grey/灰色
	9: White/白色
	A: Black/黑色

ITEM	NAME OF PART	MATERIAL	NOTES
6	Solder Pin 2 端子2	Copper Alloy	Sn Plated
5	Solder Pin 1 端子1	Copper Alloy	Sn Plated
4	Housing 2 主体2	PA66	UL94 V-0
3	Cage 方块	Copper Alloy	M3/Ni Plated
2	Housing 1 主体1	PA66	UL94 V-0
1	Screw 螺丝	Steel	M3/Zn Plated

APP.	DATE:	PART NO.:
CHK.	DATE:	F128A-5.08-XXP-1-X
DRW. C.W	DATE: 2022.10.09	DARWING TYPE: Customer Drawing
PROJECTION	UNITS: mm	SCALE: 2.5:1 SHEET/OF: 1/1

AINEWELL 昆山艾尼维尔电子有限公司
KUN SHAN AINEWELL ELECTRONICS CO.,LTD

Nominal dimension Tolerances (mm)							
0 to 18	over 18 to 30	over 30 to 50	over 50 to 80	over 80 to 120	over 120 to 180	over 180 to 250	over 250 to 320
±0.25	±0.3	±0.35	±0.5	±0.7	±0.9	±1.0	±1.2