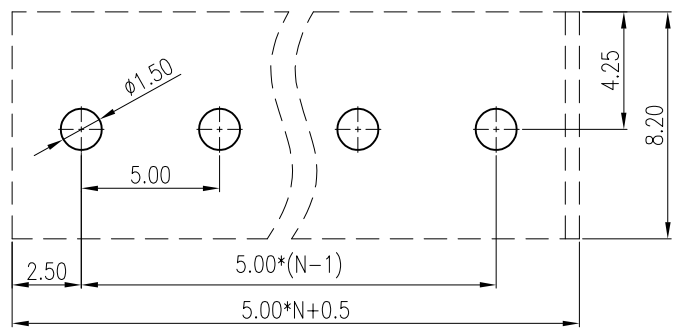
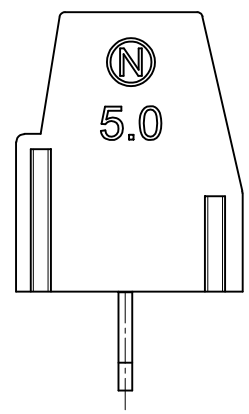
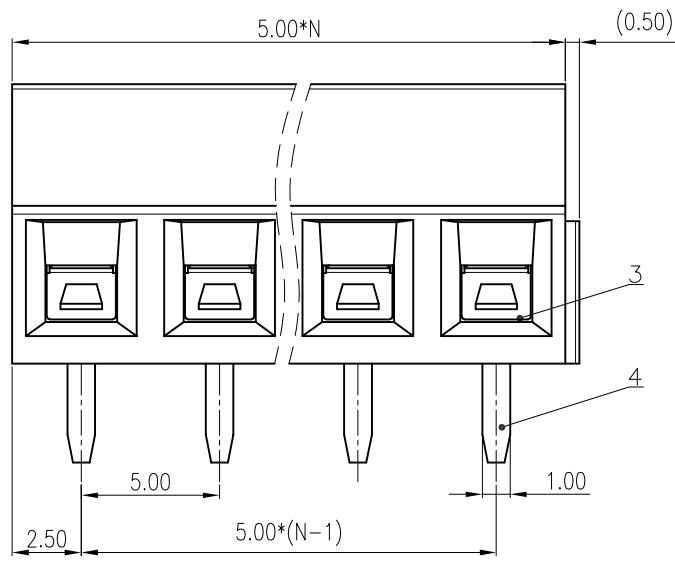
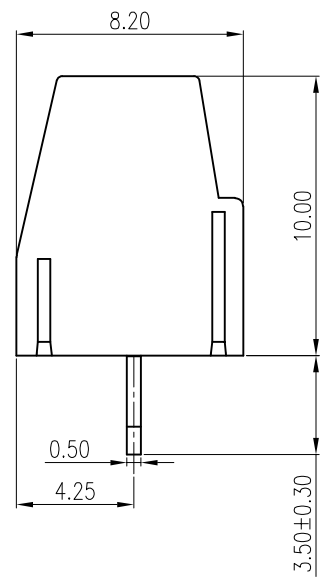
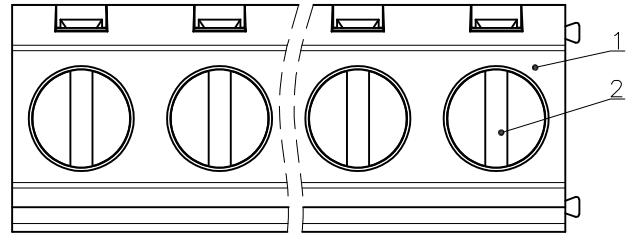


REV	DESCRIPTION	DRW.	DATE
00	初版发行	C.W	2024.04.15



PCB LAYOUT

Notes/备注:

1. Electrical properties/电气特性
UL Standard/UL标准

Use Group/应用组别	B	C	D
Rated Voltage/额定电压 (V)	300	/	300
Rated Current/额定电流 (A)	13.5	/	10
Withstanding voltage/工频耐电压	AC 1600V/1Min		

IEC Standard/IEC标准

Rated Voltage/额定电压 (V): 320
Rated Current/额定电流 (A): 15

Overvoltage Category/过电压类别 /Pollution Degree/污染等级	II/2	III/2	III/3
Voltage/电压 (V)	630	320	250
Rated Impulse Voltage/冲击耐电压 (KV)	4	4	4

2. Connection data/连接数据

Wire range/线径范围 (AWG/mm²): 30~14/0.14~1.5
Stripping length/剥线长度 (mm): 5~6
Wire tightening torque/导线扭矩 (N.m): 0.5~0.6

3. Environmental safety/环境安全

Operating temperature/工作温度范围 (°C): -40~+105
RoHS compliant/符合RoHS环保要求

Part No./料号说明:

F127-5.0-XXP-1-X

Poles/P数	Color/颜色
02: 2Poles	1: Brown/棕色
03: 3Poles	2: Red/红色
...	3: Orange/橙色
24: 24Poles	4: Yellow/黄色
	5: Green/绿色
	6: Blue/蓝色
	7: Purple/紫色
	8: Grey/灰色
	9: White/白色
	A: Black/黑色

ITEM	NAME OF PART	MATERIAL	NOTES
4	SOLDER PIN 端子	Copper Alloy	Sn Plated
3	CAGE 方块	Copper Alloy	M3/Ni Plated
2	SCREW 螺丝	Steel	M3/Zn Plated
1	HOUSING 主体	PA66	UL94 V-0

APP. M.X.B	DATE: 2024.04.15	PART NO.: F127-5.0-XXP-1-X	
CHK. M.C.N	DATE: 2024.04.15	DARWING TYPE: Customer Drawing	
DRW. C.W	DATE: 2024.04.15	UNITS: mm	SCALE: 5:1 SHEET/OF: 1/1

Nominal dimension Tolerances (mm)						
	over 18 to 30	over 30 to 50	over 50 to 80	over 80 to 120	over 120 to 180	over 180 to 250
0 to 18	±0.25	±0.3	±0.35	±0.5	±0.7	±1.0
18 to 30	±0.3	±0.35	±0.5	±0.7	±0.9	±1.2