

REV	DESCRIPTION	DRW.	DATE
00	初版发行	M.C.N	2022.08.30

Notes/备注:

1. Electrical properties/电气特性
UL Standard/UL标准 (UL档案号: E498070)

Use Group/应用组别	B	C	D
Rated Voltage/额定电压 (V)	300	/	300
Rated Current/额定电流 (A)	15	/	10
Withstanding voltage/工频耐电压	AC 1600V/1min		

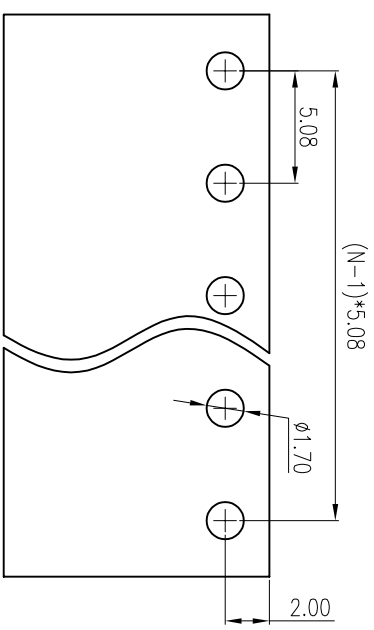
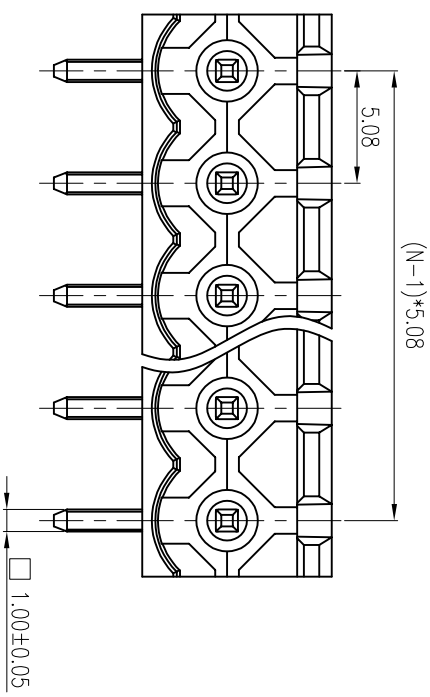
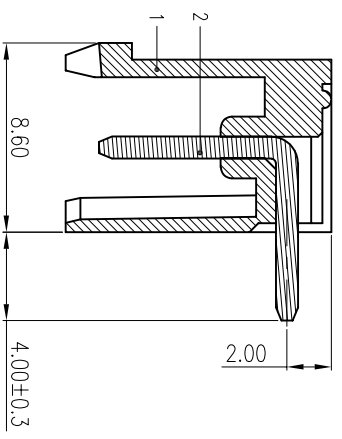
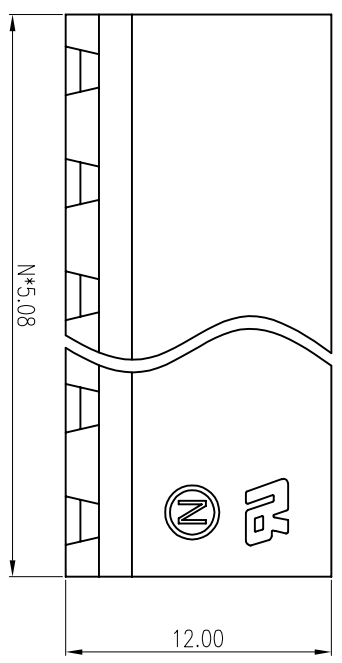
IEC Standard/IEC标准

Rated Voltage/额定电压 (V): 320
Rated Current/额定电流 (A): 16

Overvoltage Category/过电压类别 /Pollution Degree/污染等级	11/2	111/2	111/3
Voltage/电压 (V)	630	320	250
Rated Impulse Voltage/冲击耐电压 (kV)	4	4	4

2. Environmental safety/环境安全

Operating temperature/工作温度范围 (°C): -40~+105
RoHS compliant/符合RoHS环保要求



Nominal dimension		Tolerances (mm)	
0 to 18	over	±0.3	±0.3
18 to 30	to	±0.35	±0.5
30 to 50	to	±0.5	±0.7
50 to 80	to	±0.7	±0.9
80 to 120	to	±0.9	±1.0
120 to 180	to	±1.0	±1.2
180 to 250	to	±1.2	±1.2
250 to 320	to	±1.2	±1.2

Part No./料号说明:

F8A-3-5.08-XXP-X

Poles/极数
02: 2Poles
03: 3Poles
...
24: 24Poles

Color/颜色
1: Brown/棕色
2: Red/红色
3: Orange/橙色
4: Yellow/黄色
5: Green/绿色
6: Blue/蓝色
7: Purple/紫色
8: Grey/灰色
9: White/白色
A: Black/黑色

ITEM	NAME OF PART	MATERIAL	NOTES
2	PIN HEADER 焊针	Copper Alloy	Sn Plated
1	HOUSING 主体	PA66	UL94 V-0

PART NO.: F8A-3-5.08-XXP-X

APP. CHK.	DATE:	DATE:
DRW. M.C.M.	DATE: 2022.08.30	
PROJECTION	DRAWING TYPE: Customer Drawing	
UNITS: mm	SCALE: 4:1	SHEET/OF: 1/1



昆山艾尼威尔电子有限公司
KUN SHAN AINWELL ELECTRONICS CO.,LTD