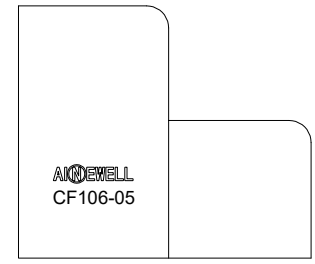
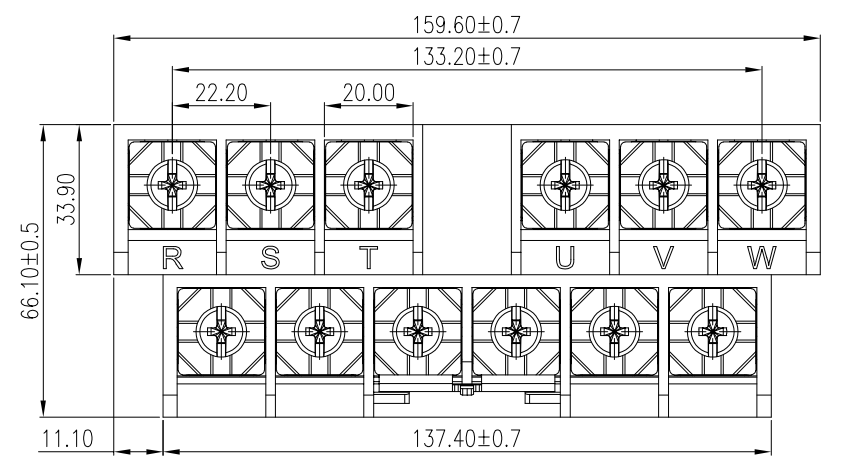


| | | | |
|-----|-------------|------|------------|
| REV | DESCRIPTION | DRW. | DATE |
| 00 | 初版发行 | C.W | 2024.08.21 |



View: F

Notes/备注:

1. Electrical properties/电气特性
UL Standard/UL 标准

| | | | |
|----------------------------|---------------|-----|-----|
| Use Group/应用组别 | B | C | D |
| Rated Voltage/额定电压 (V) | 600 | 600 | 600 |
| Rated Current/额定电流 (A) | 75 | 75 | 5 |
| Withstanding voltage/工频耐电压 | AC 2200V/1Min | | |

IEC Standard/IEC 标准

Rated Voltage/额定电压 (V): 1000
Rated Current/额定电流 (A): 76

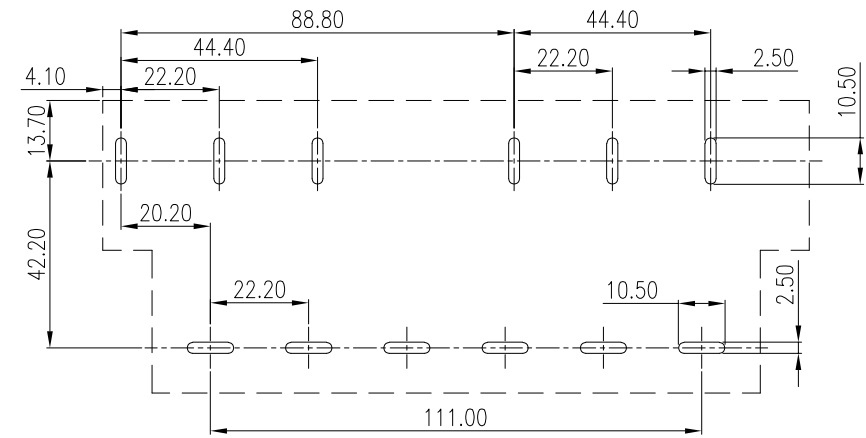
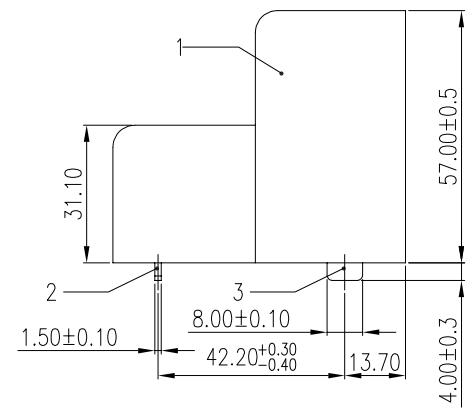
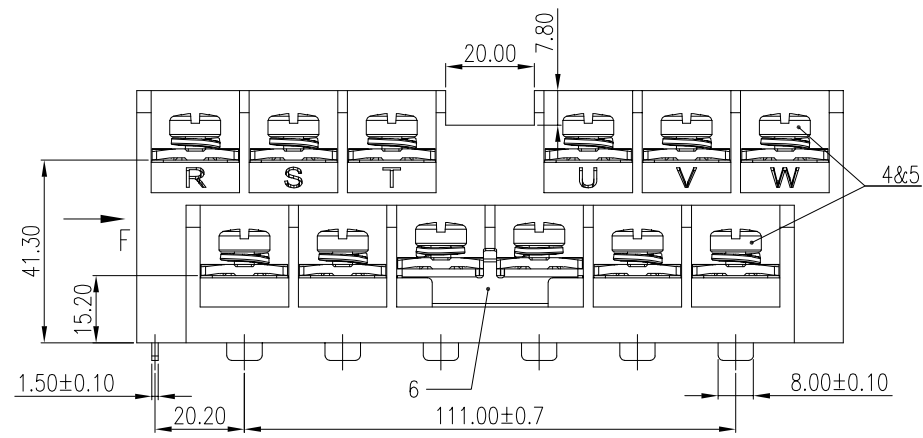
| | | | |
|--|------|-------|-------|
| Overvoltage Category/过电压类别 /Pollution Degree/污染等级 | II/2 | III/2 | III/3 |
| Voltage/电压 (V) | 1000 | 1000 | 800 |
| Rated Impulse Voltage/冲击耐电压(KV) | 8 | 8 | 8 |

2. Connection data/连接数据

Wire range/线径范围(AWG/mm²): 10~2/6~35
Stripping length/剥线长度(mm): 20~22
Wire tightening torque/导线扭矩(N.m): 3.5~4

3. Environmental safety/环境安全

Operating temperature/工作温度范围(°C): -40~+120
RoHS compliant/符合RoHS环保要求



| Nominal dimension Tolerances (mm) | | | | | | | |
|-----------------------------------|---------|---------|---------|---------|----------|----------|----------|
| 0 | over 18 | over 30 | over 50 | over 80 | over 120 | over 180 | over 250 |
| to 18 | to 30 | to 50 | to 80 | to 120 | to 180 | to 250 | to 320 |
| ±0.25 | ±0.3 | ±0.35 | ±0.5 | ±0.7 | ±0.9 | ±1.0 | ±1.2 |

PCB LAYOUT

| | | | |
|------|------------------|--------------|----------------|
| 6 | JUMPER 短路片 | Copper Alloy | Sn Plated |
| 5 | SCREW 螺丝 | Steel | M6/Zn Plated |
| 4 | NUT 螺母 | Steel | M6/Zn Plated |
| 3 | SOLDER PIN 2 端子2 | Copper Alloy | Sn Plated |
| 2 | SOLDER PIN 1 端子1 | Copper Alloy | Sn Plated |
| 1 | HOUSING 主体 | PBT | UL94 V-0 BLACK |
| ITEM | NAME OF PART | MATERIAL | NOTES |

| | | |
|----------------|------------------|--|
| APP. | DATE: | PART NO: CF106-05-12P-A |
| CHK. | DATE: | |
| DRW. C.W | DATE: 2024.08.21 | DARWING TYPE: Customer Drawing |
| PROJECTION | | UNITS: mm SCALE: 0.8:1 SHEET/OF: 1/1 |
| AINWELL | | 昆山艾尼维尔电子有限公司 KUN SHAN AINWELL ELECTRONICS CO.,LTD |