

REV	DESCRIPTION	DRW.	DATE
00	初版发行	C.W	2023.08.07

Notes/备注:

1. Electrical properties/电气特性

UL Standard/UL 标准

Use Group/应用组别	B	C	D
Rated Voltage/额定电压 (V)	600	600	600
Rated Current/额定电流 (A)	57	57	5
Withstanding voltage/工频耐电压	AC 2000V/1Min		

IEC Standard/IEC 标准

Rated Voltage/额定电压 (V): 1000  
Rated Current/额定电流 (A): 57

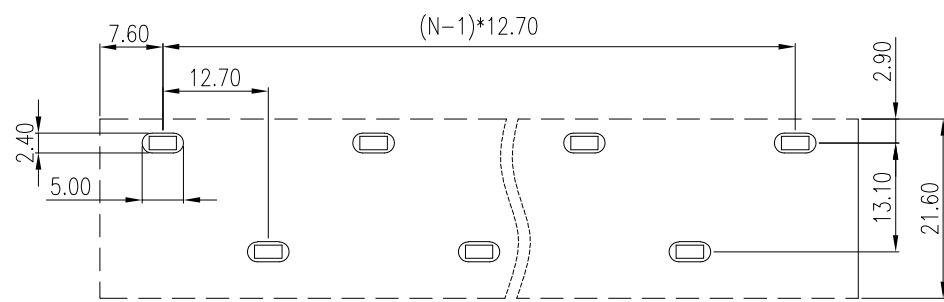
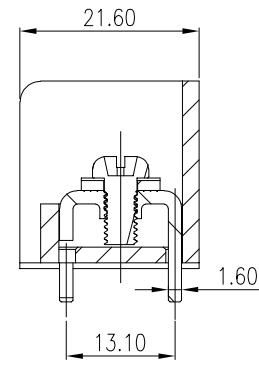
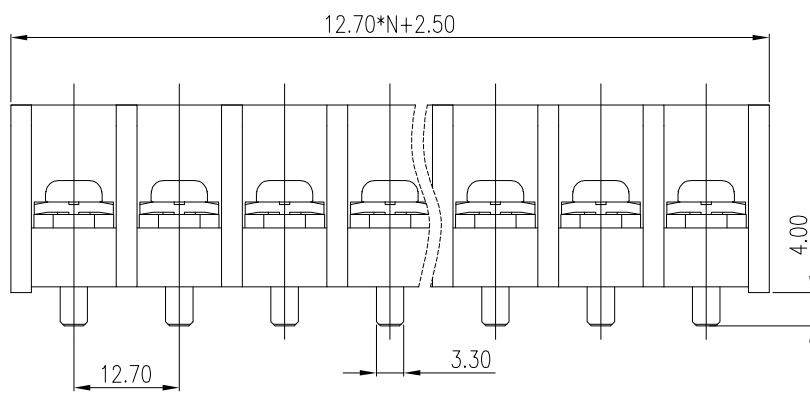
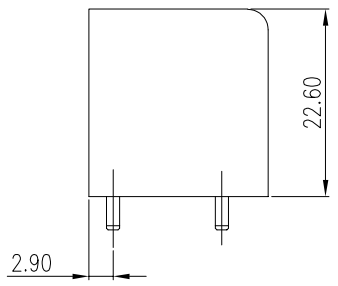
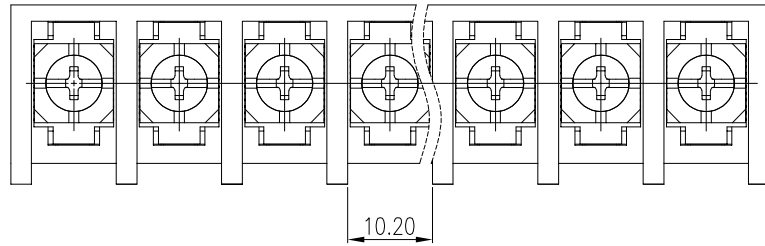
Overvoltage Category/过电压类别 /Pollution Degree/污染等级	II/2	III/2	III/3
Voltage/电压 (V)	1000	1000	800
Rated Impulse Voltage/冲击耐电压 (KV)	8	8	8

2. Connection data/连接数据

Wire range/线径范围 (AWG/mm<sup>2</sup>): 18~8/1.0~10  
Stripping length/剥线长度 (mm): 12~14  
Wire tightening torque/导线扭矩 (N.m): 1.2~1.5

3. Environmental safety/环境安全

Operating temperature/工作温度范围 (°C): -40~+120  
RoHS compliant/符合RoHS环保要求



PCB\_LAYOUT

Nominal dimension		Tolerances (mm)						
0 to 18	over 18 to 30	over 30 to 50	over 50 to 80	over 80 to 120	over 120 to 180	over 180 to 250	over 250 to 320	
±0.25	±0.3	±0.35	±0.5	±0.7	±0.9	±1.0	±1.2	

APP.	DATE:	PART NO:	
CHK.	DATE:	FB606-11A-XXP-W05	
DRW. C.W	DATE: 2023.08.07	DARWING TYPE: Customer Drawing	
PROJECTION		UNITS: mm	SCALE: 1.5:1 SHEET/OF: 1/1
		昆山艾尼维尔电子有限公司 KUN SHAN AINEWELL ELECTRONICS CO.,LTD	