

REV	DESCRIPTION	DRW.	DATE
00	初版发行	C.W	2023.09.18

Notes/备注:

1. Electrical properties/电气特性  
UL Standard/UL标准

Use Group/应用组别	B	C	D
Rated Voltage/额定电压 (V)	600	600	600
Rated Current/额定电流 (A)	100	100	5
Withstanding voltage/工频耐电压	AC 2200V/1Min		

IEC Standard/IEC标准

Rated Voltage/额定电压 (V): 1000  
Rated Current/额定电流 (A): 101

Overvoltage Category/过电压类别 /Pollution Degree/污染等级	II/2	III/2	III/3
Voltage/电压 (V)	800	1000	1000
Rated Impulse Voltage/冲击耐电压(KV)	10	10	10

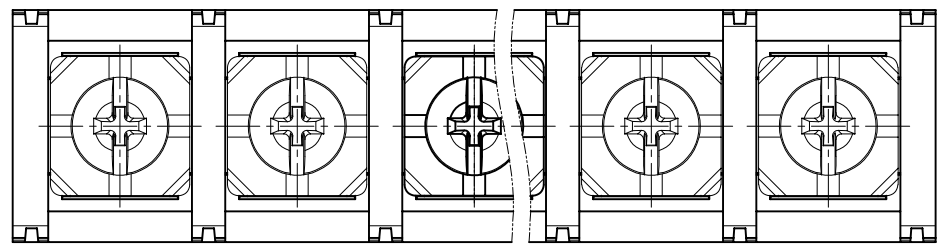
2. Connection data/连接数据

Wire range/线径范围(AWG/mm<sup>2</sup>): 14~3/2.5~25  
Stripping length/剥线长度(mm): 13~14  
Wire tightening torque/导线扭矩(N.m): 2.0~2.4

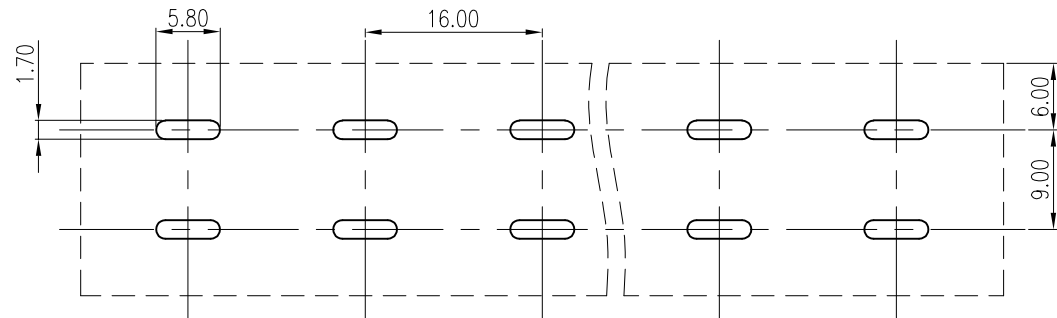
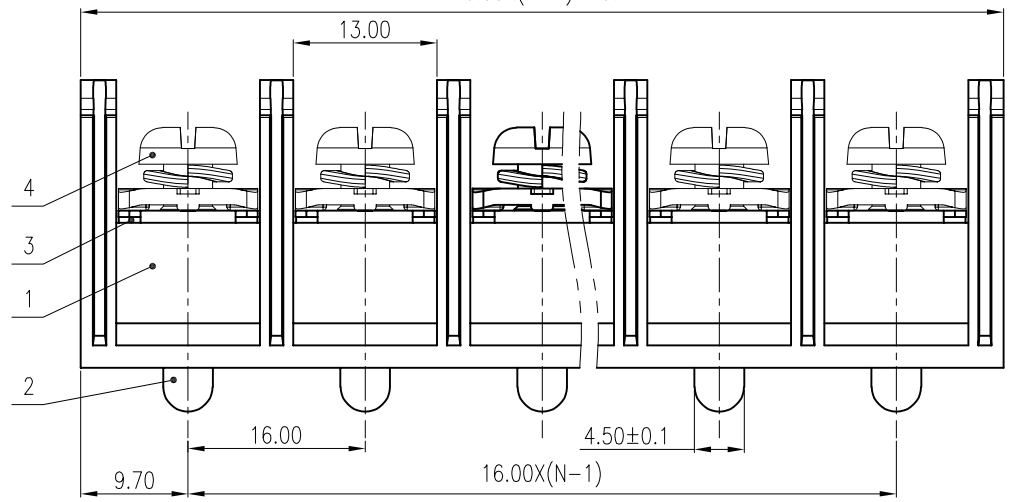
3. Environmental safety/环境安全

Operating temperature/工作温度范围(°C): -40~+105  
RoHS compliant/符合RoHS环保要求

4	SCREW 螺丝	Steel	M5/Ni Plated
3	NUT 螺母	Steel	M5/Zn Plated
2	SOLDER PIN 端子	Copper Alloy	Sn Plated
1	HOUSING 主体	PA66	BLACK/UL94 V-0
ITEM	NAME OF PART	MATERIAL	NOTES



$$16.00 \times (N-1) + 19.4$$



PCB LAYOUT

Part No./料号说明:

F-68D-16.0-XXP

Poles/P数  
02: 2Poles  
03: 3Poles  
...  
20: 20Poles

Nominal dimension		Tolerances (mm)					
0	over 18	over 30	over 50	over 80	over 120	over 180	over 250
to 18	to 30	to 50	to 80	to 120	to 180	to 250	to 320
	±0.25	±0.3	±0.35	±0.5	±0.7	±0.9	±1.0

APP.	DATE:	PART NO.: <b>F-68D-16.0-XXP</b>	
CHK.	DATE:	DARWING TYPE: Customer Drawing	
DRW. C.W	DATE: 2023.09.18	UNITS: mm	SCALE: 2:1
PROJECTION		SHEET/OF: 1/1	
<b>AINEWELL</b>		昆山艾尼维尔电子有限公司 KUN SHAN AINEWELL ELECTRONICS CO.,LTD	