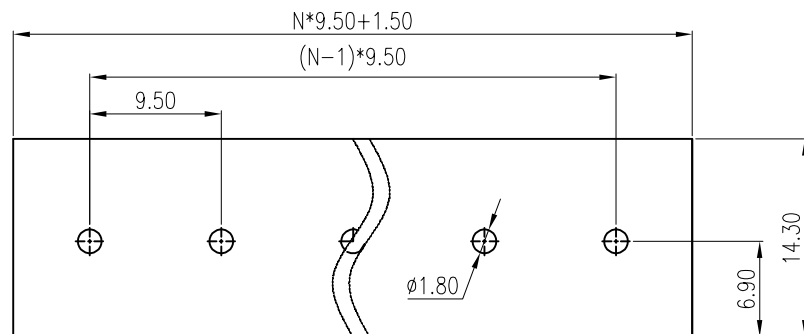
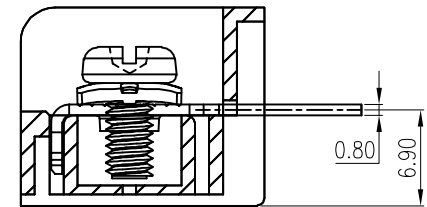
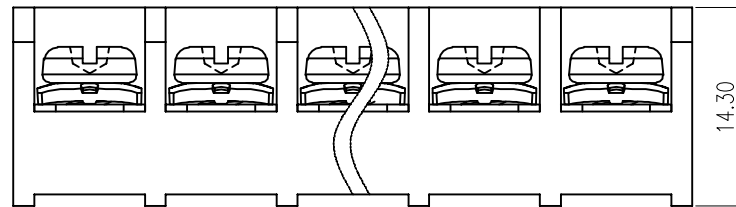
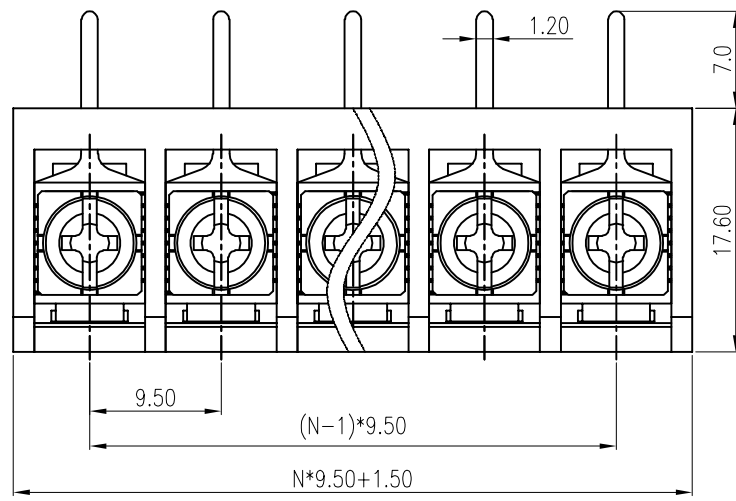


REV	DESCRIPTION	DRW.	DATE
00	初版发行	M.C.N	2022.06.27



P.C.B LAYOUT

Notes/备注:

- Electrical properties/电气特性
UL Standard/UL标准

Use Group/应用组别	B	C	D
Rated Voltage/额定电压 (V)	300	/	300
Rated Current/额定电流 (A)	25	/	10
Withstanding voltage/工频耐电压	AC 1600V/1Min		

IEC Standard/IEC标准

Rated Voltage/额定电压 (V): 630
Rated Current/额定电流 (A): 32

Overvoltage Category/过电压类别 /Pollution Degree/污染等级	II/2	III/2	III/3
Voltage/电压 (V)	630	630	400
Rated Impulse Voltage/冲击耐电压(KV)	6	6	6

- Connection data/连接数据

Wire range/线径范围(AWG/mm²): 22~12/0.5~4
Stripping length/剥线长度(mm): 9~10
Wire tightening torque/导线扭矩(N.m): 1.0

- Environmental safety/环境安全

Operating temperature/工作温度范围(°C): -40~+105
RoHS compliant/符合RoHS环保要求

Part No./料号说明:

U-950T-9.50-XXP-W01

Poles/P数

- 02: 2Poles
- 03: 3Poles
- ...
- 32: 32Poles

ITEM	NAME OF PART	MATERIAL	NOTES
3	PIN HEADER 焊针	Copper Alloy	Sn Plated
2	SCREW 螺丝	Steel	M3.5/Zn Plated
1	HOUSING 主体	PA66	Black/UL94 V-0

APP.	DATE:	PART NO.:
CHK.	DATE:	U-950T-9.50-XXP-W01
DRW. M.C.N	DATE: 2022.06.27	DARWING TYPE: Customer Drawing
PROJECTION		UNITS: mm SCALE: 2.5:1 SHEET/OF: 1/1



昆山艾尼维尔电子有限公司
KUN SHAN AINEWELL ELECTRONICS CO.,LTD

Nominal dimension		Tolerances (mm)					
0	over 18	over 30	over 50	over 80	over 120	over 180	over 250
to 18	to 30	to 50	to 80	to 120	to 180	to 250	to 320
	±0.25	±0.3	±0.35	±0.5	±0.7	±0.9	±1.0
							±1.2