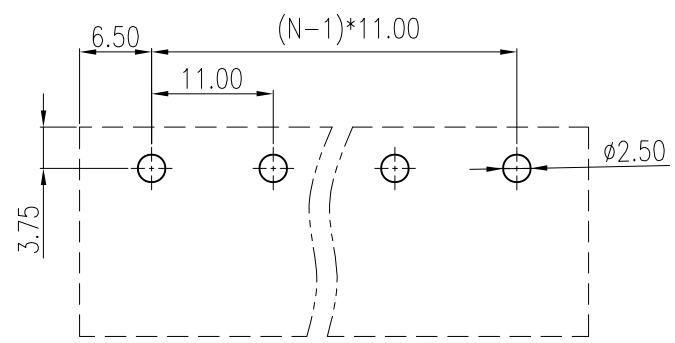
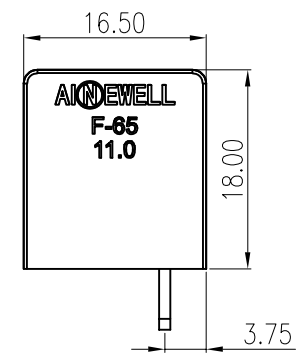
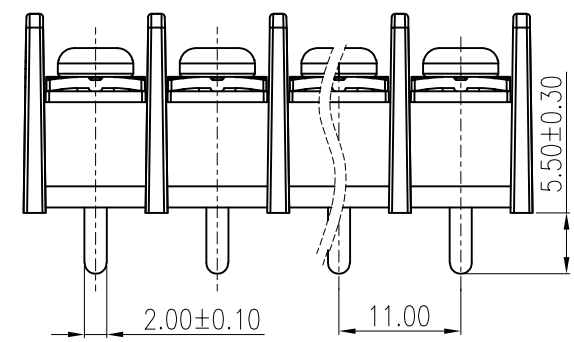
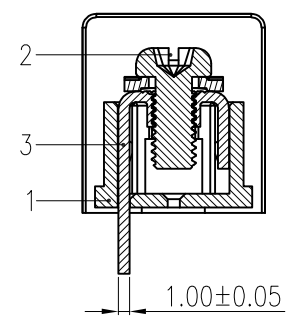
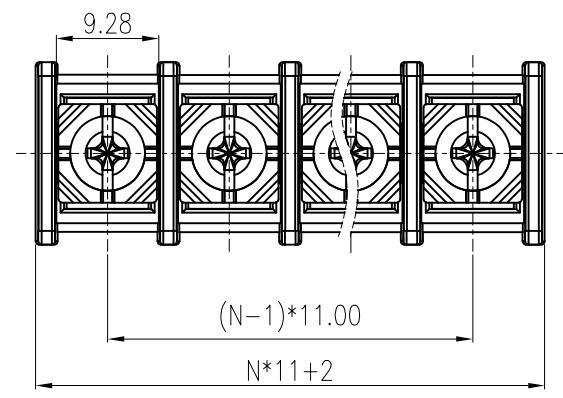


REV	DESCRIPTION	DRW.	DATE
00	初版发行	T.P.W	2023.11.13



Notes/备注:

1. Electrical properties/电气特性
UL Standard/UL 标准

Use Group/应用组别	B	C	D
Rated Voltage/额定电压 (V)	300	/	300
Rated Current/额定电流 (A)	25	/	10
Withstanding voltage/工频耐电压	AC 1600V/1Min		

IEC Standard/IEC 标准

Rated Voltage/额定电压 (V): 630
Rated Current/额定电流 (A): 32

Overvoltage Category/过电压类别 /Pollution Degree/污染等级	II/2	III/2	III/3
Voltage/电压 (V)	1000	630	500
Rated Impulse Voltage/冲击耐电压(KV)	6	6	6

2. Connection data/连接数据

Wire range/线径范围(AWG/mm²): 22~12/0.5~4
Stripping length/剥线长度(mm): 10~11
Wire tightening torque/导线扭矩(N.m): 1.2

3. Environmental safety/环境安全

Operating temperature/工作温度范围(°C): -40~+105
RoHS compliant/符合RoHS环保要求

Part No./料号说明:

F-65S-11.0-XXP

Poles/ Pole数
02: 2Poles
03: 3Poles
...
22: 22Poles

3	PIN HEADER 焊针	Copper Alloy	Sn Plated
2	SCREW 螺丝	Steel	M4/Ni Plated
1	HOUSING 主体	PA66	Black/UL94V-0
ITEM	NAME OF PART	MATERIAL	NOTES

APP.	DATE:	PART NO.: F-65S-11.0-XXP
CHK.	DATE:	
DRW. T.P.W	DATE: 2023.11.13	DARWING TYPE: Customer Drawing
PROJECTION		UNITS: mm SCALE: 2:1 SHEET/OF: 1/1

AINEWELL 昆山艾尼维尔电子有限公司
KUN SHAN AINEWELL ELECTRONICS CO.,LTD

Nominal dimension Tolerances (mm)							
	over 18 to 18	over 30 to 30	over 50 to 50	over 80 to 80	over 120 to 120	over 180 to 180	over 250 to 250
F	±0.25	±0.3	±0.35	±0.5	±0.7	±0.9	±1.0