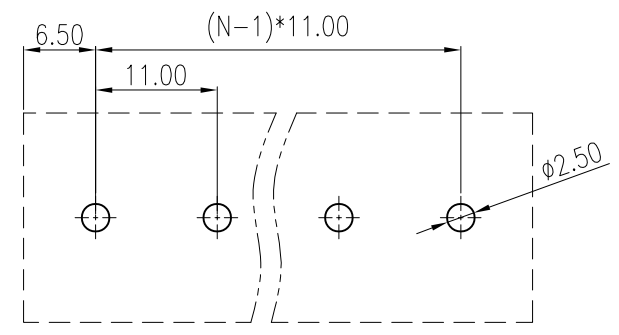
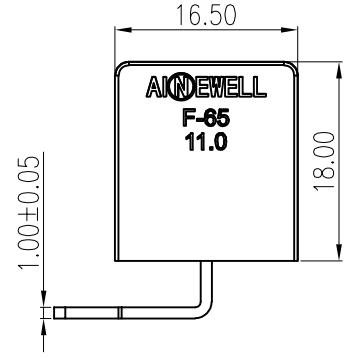
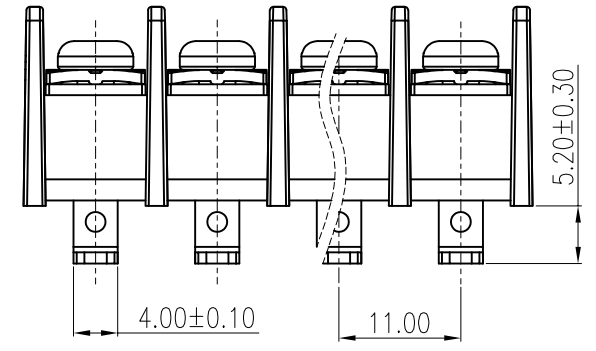
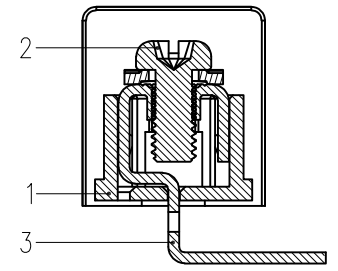
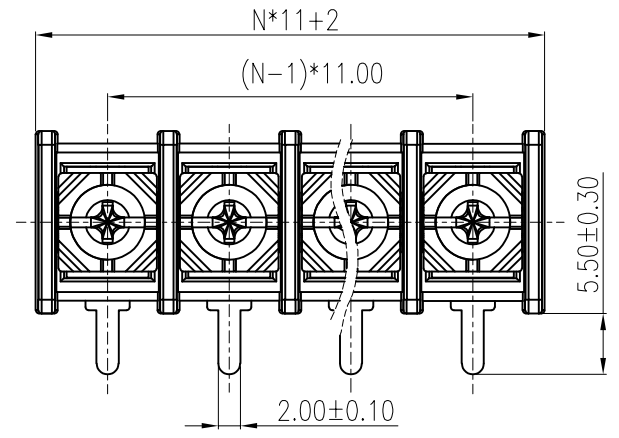


REV	DESCRIPTION	DRW.	DATE
00	初版发行	T.P.W	2023.11.13



Notes/备注:

1. Electrical properties/电气特性
UL Standard/UL 标准

Use Group/应用组别	B	C	D
Rated Voltage/额定电压 (V)	300	/	300
Rated Current/额定电流 (A)	25	/	10
Withstanding voltage/工频耐电压	AC 1600V/1Min		

IEC Standard/IEC 标准

Rated Voltage/额定电压 (V): 630
Rated Current/额定电流 (A): 32

Overvoltage Category/过电压类别 /Pollution Degree/污染等级	II/2	III/2	III/3
Voltage/电压 (V)	1000	630	500
Rated Impulse Voltage/冲击耐电压(KV)	6	6	6

2. Connection data/连接数据

Wire range/线径范围(AWG/mm²): 22~12/0.5~4
Stripping length/剥线长度(mm): 10~11
Wire tightening torque/导线扭矩(N.m): 1.2

3. Environmental safety/环境安全

Operating temperature/工作温度范围(°C): -40~+105
RoHS compliant/符合RoHS环保要求

Part No./料号说明:

F-65R-11.0-XXP

Poles/P数
02: 2Poles
03: 3Poles
...
22: 22Poles

3	PIN HEADER 焊针	Copper Alloy	Sn Plated
2	SCREW 螺丝	Steel	M4/Ni Plated
1	HOUSING 主体	PA66	Black/UL94 V-0
ITEM	NAME OF PART	MATERIAL	NOTES

Nominal dimension Tolerances (mm)							
0	over 18	over 30	over 50	over 80	over 120	over 180	over 250
to 18	to 30	to 50	to 80	to 120	to 180	to 250	to 320
	±0.25	±0.3	±0.35	±0.5	±0.7	±0.9	±1.0
							±1.2

APP.	DATE:	PART NO.: F-65R-11.0-XXP	
CHK.	DATE:		
DRW. T.P.W	DATE: 2023.11.13	DARWING TYPE: Customer Drawing	
PROJECTION		UNITS: mm	SCALE: 2:1 SHEET/OF: 1/1
AINEWELL		昆山艾尼维尔电子有限公司 KUN SHAN AINEWELL ELECTRONICS CO.,LTD	