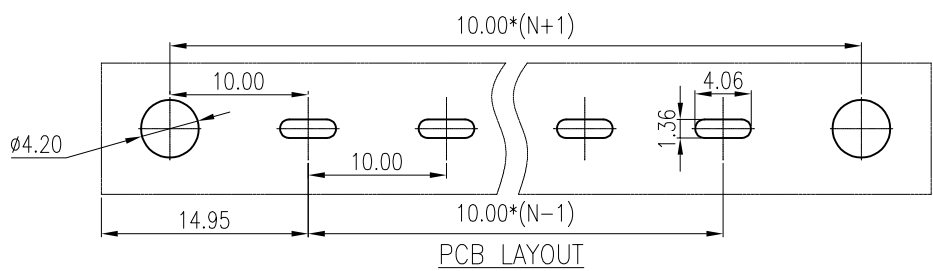
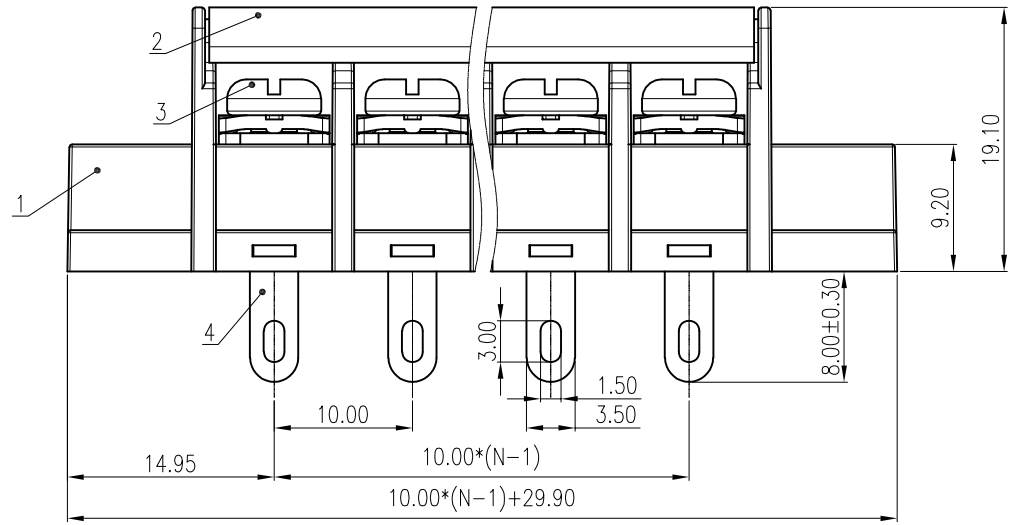
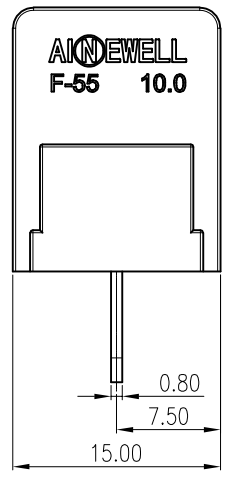
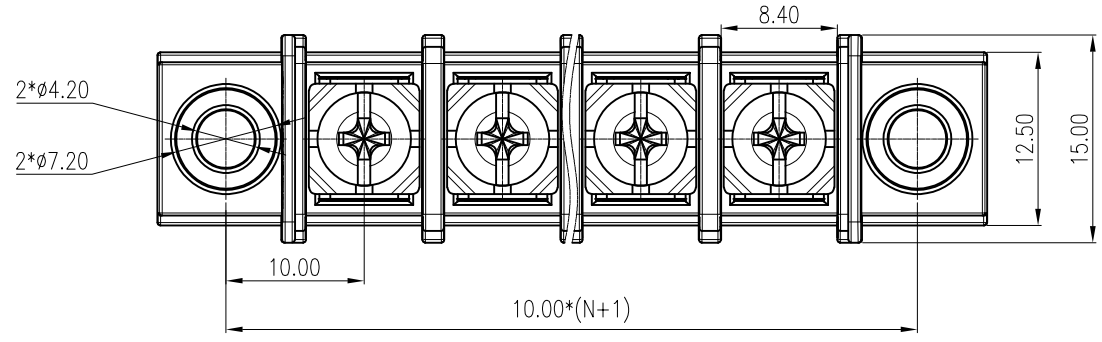


REV	DESCRIPTION	DRW.	DATE
00	初版发行	C.W	2023.10.16

(Without Cover)



Notes/备注:

1. Electrical properties/电气特性
UL Standard/UL 标准

Use Group/应用组别	B	C	D
Rated Voltage/额定电压 (V)	300	150	300
Rated Current/额定电流 (A)	20	20	10
Withstanding voltage/工频耐电压	AC 1600V/1Min		

IEC Standard/IEC 标准

Rated Voltage/额定电压 (V): 600
Rated Current/额定电流 (A): 32

Overvoltage Category/过电压类别 /Pollution Degree/污染等级	II/2	III/2	III/3
Voltage/电压 (V)	1000	600	600
Rated Impulse Voltage/冲击耐电压(KV)	6	6	6

2. Connection data/连接数据

Wire range/线径范围(AWG/mm²): 22~12/0.2~4
Stripping length/剥线长度(mm): 9~10
Wire tightening torque/导线扭矩(N.m): 1.2

3. Environmental safety/环境安全

Operating temperature/工作温度范围(°C): -40~+105
RoHS compliant/符合RoHS环保要求

ITEM	NAME OF PART	MATERIAL	NOTES
4	SOLDER PIN 端子	Copper Alloy	Sn Plated
3	SCREW 螺丝	Steel	M4/Ni Plated
2	COVER 透明盖板	PC	UL94 V-2
1	HOUSING 主体	PA66-CF	Black/UL94 V-0

Part No./料号说明:

F-55HM-10.0-XXP-C

Poles/P数
02: 2Poles
03: 3Poles
...
20: 20Poles

Nominal dimension Tolerances (mm)							
0	over 18	over 30	over 50	over 80	over 120	over 180	over 250
to 18	to 30	to 50	to 80	to 120	to 180	to 250	to 320
±0.25	±0.3	±0.35	±0.5	±0.7	±0.9	±1.0	±1.2

APP.	DATE:	PART NO.: F-55HM-10.0-XXP-C	
CHK.	DATE:		
DRW. C.W	DATE: 2023.10.16	DARWING TYPE: Customer Drawing	
PROJECTION		UNITS: mm	SCALE: 2.5:1 SHEET/OF: 1/1
AINEWELL		昆山艾尼维尔电子有限公司 KUN SHAN AINEWELL ELECTRONICS CO.,LTD	