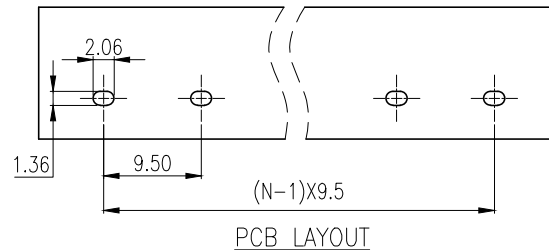
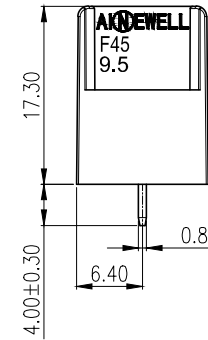
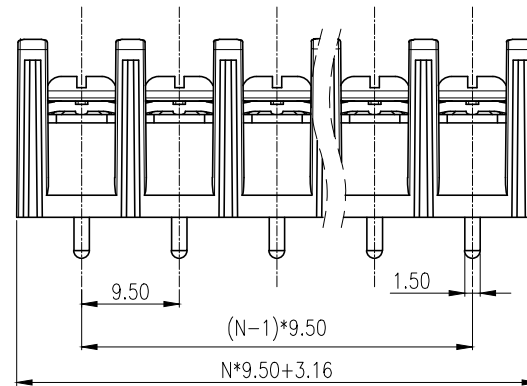
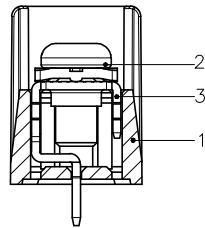
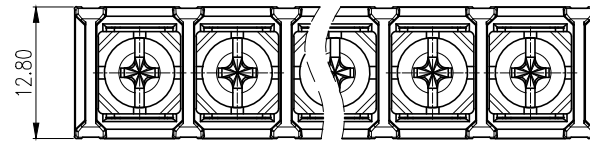


REV	DESCRIPTION	DRW.	DATE
00	初版发行	C.W	2022.08.12



Notes/备注:

1. Electrical properties/电气特性  
UL Standard/UL 标准

Use Group/应用组别	B	C	D
Rated Voltage/额定电压 (V)	300	150	300
Rated Current/额定电流 (A)	20	20	10
Withstanding voltage/工频耐电压	AC 1600V/1Min		

IEC Standard/IEC 标准

- Rated Voltage/额定电压 (V): 600  
Rated Current/额定电流 (A): 32

Overvoltage Category/过电压类别 /Pollution Degree/污染等级	II/2	III/2	III/3
Voltage/电压 (V)	1000	600	600
Rated Impulse Voltage/冲击耐电压 (KV)	6	6	6

2. Connection data/连接数据  
Wire range/线径范围(AWG/mm<sup>2</sup>): 22~12/0.2~4  
Stripping length/剥线长度(mm): 9~10  
Wire tightening torque/导线扭矩(N.m): 1.2
3. Environmental safety/环境安全  
Operating temperature/工作温度范围(°C): -40~+105  
RoHS compliant/符合RoHS环保要求

3	PIN HEADER 焊针	Copper Alloy	Sn Plated
2	SCREW 螺丝	Steel	M4/Ni Plated
1	HOUSING 主体	PA66	Black/UL94 V-0
ITEM	NAME OF PART	MATERIAL	NOTES

Part No./料号说明:

F-45C-9.5-**XXP**

Poles/P数  
02: 2Poles  
03: 3Poles  
...  
22: 22Poles

Nominal dimension Tolerances (mm)

0	over 18	over 30	over 50	over 80	over 120	over 180	over 250
to 18	to 30	to 50	to 80	to 120	to 180	to 250	to 320
±0.25	±0.3	±0.35	±0.5	±0.7	±0.9	±1.0	±1.2

APP.	DATE:	PART NO.:	<b>F-45C-9.5-XXP</b>		
CHK.	DATE:	DARWING TYPE: Customer Drawing			
DRW. C.W	DATE: 2022.08.12	DARWING TYPE: Customer Drawing			
PROJECTION		UNITS: mm	SCALE: 2:1	SHEET/OF: 1/1	
<b>AINEWELL</b>		昆山艾尼维尔电子有限公司 KUN SHAN AINEWELL ELECTRONICS CO.,LTD			