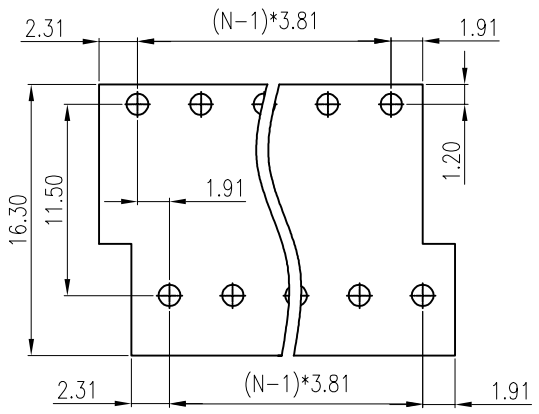
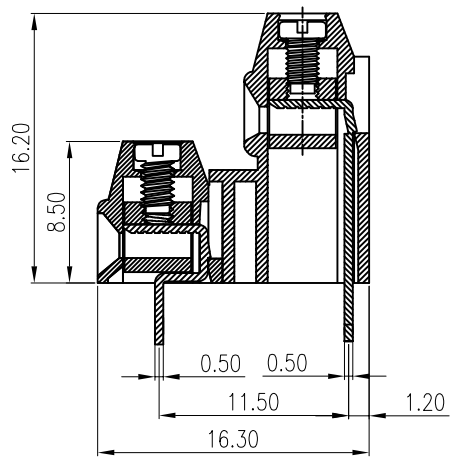
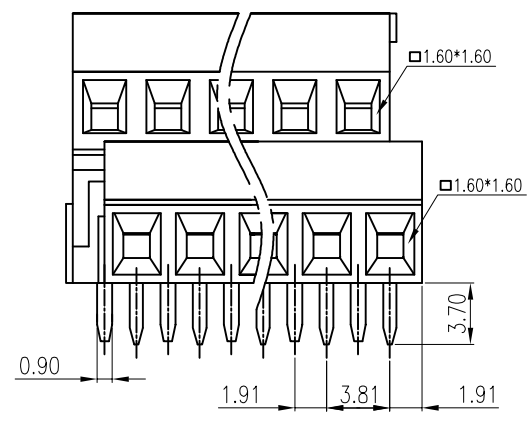
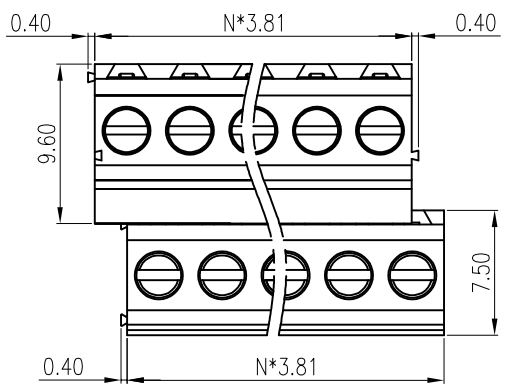


REV	DESCRIPTION	DRW.	DATE
00.1	初版发行	C.W	2022.10.09



Notes/备注:

1. Electrical properties/电气特性  
UL Standard/UL标准

Use Group/应用组别	B	C	D
Rated Voltage/额定电压 (V)	150	/	300
Rated Current/额定电流 (A)	10	/	10
Withstanding voltage/工频耐电压	AC 1600V/1Min		

IEC Standard/IEC标准

Rated Voltage/额定电压 (V): 160  
Rated Current/额定电流 (A): 10

Overvoltage Category/过电压类别 /Pollution Degree/污染等级	II/2	III/2	III/3
Voltage/电压 (V)	320	160	160
Rated Impulse Voltage/冲击耐电压(KV)	2.5	2.5	2.5

2. Connection data/连接数据

Wire range/线径范围(AWG/mm<sup>2</sup>): 24~16/0.2~1.5  
Stripping length/剥线长度(mm): 5~6  
Wire tightening torque/导线扭矩(N.m): 0.2

3. Environmental safety/环境安全

Operating temperature/工作温度范围(°C): -40~+105  
RoHS compliant/符合RoHS环保要求

Part No./料号说明:

F124B-3.81-XXP-1-X-W01

Poles/P数	Color/颜色
04: 4Poles	1: Brown/棕色 6: Blue/蓝色
06: 6Poles	2: Red/红色 7: Purple/紫色
...	3: Orange/橙色 8: Grey/灰色
48: 48Poles	4: Yellow/黄色 9: White/白色
	5: Green/绿色 A: Black/黑色

Nominal dimension		Tolerances (mm)						
0 to 18	over 18 to 30	over 30 to 50	over 50 to 80	over 80 to 120	over 120 to 180	over 180 to 250	over 250 to 320	
±0.25	±0.3	±0.35	±0.5	±0.7	±0.9	±1.0	±1.2	

P.C.B. LAYOUT

APP.	DATE:	PART NO.: <b>F124B-3.81-XXP-1-X-W01</b>	
CHK.	DATE:		
DRW. C.W	DATE: 2022.10.09	DARWING TYPE: Customer Drawing	
PROJECTION		UNITS: mm	SCALE: 3:1 SHEET/OF: 1/1
		昆山艾尼维尔电子有限公司 KUN SHAN AINEWELL ELECTRONICS CO.,LTD	