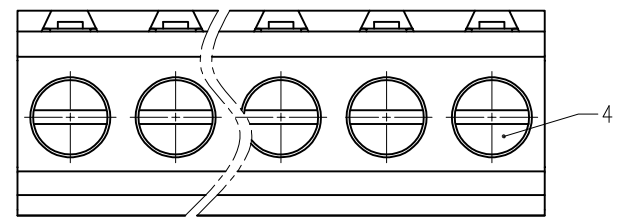


REV	DESCRIPTION	DRW.	DATE
00	初版发行	T.P.W	2024.02.29



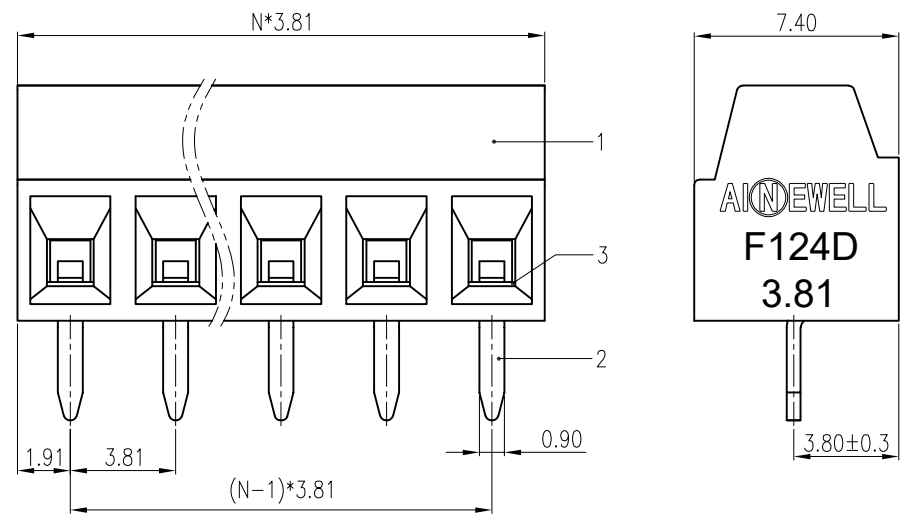
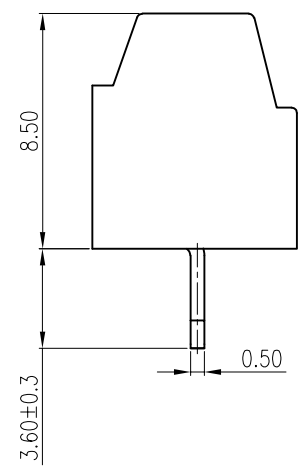
Notes/备注:  
1. Electrical properties/电气特性  
UL Standard/UL 标准

Use Group/应用组别	B	C	D
Rated Voltage/额定电压 (V)	300	/	/
Rated Current/额定电流 (A)	10	/	/
Withstanding voltage/工频耐电压	AC 1600V/1Min		

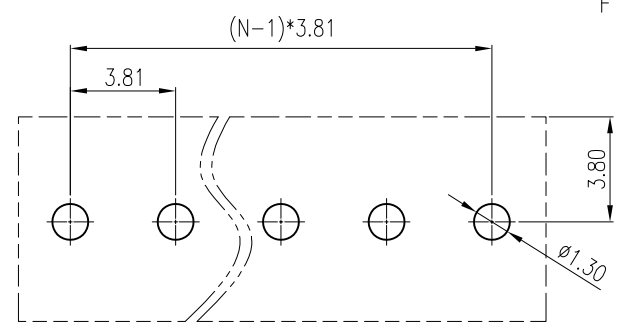
IEC Standard/IEC 标准  
Rated Voltage/额定电压 (V): 160  
Rated Current/额定电流 (A): 12

Overvoltage Category/过电压类别 /Pollution Degree/污染等级	II/2	III/2	III/3
Voltage/电压 (V)	320	160	160
Rated Impulse Voltage/冲击耐电压(KV)	2.5	2.5	2.5

2. Connection data/连接数据  
Wire range/线径范围 (AWG/mm<sup>2</sup>): 30~16/0.2~1.0  
Stripping length/剥线长度 (mm): 5~6  
Wire tightening torque/导线扭矩 (N.m): 0.2  
3. Environmental safety/环境安全  
Operating temperature/工作温度范围 (°C): -40~+105  
RoHS compliant/符合RoHS环保要求



Part No./料号说明:  
F124D-3.81-XXP-1-X



Poles/极数  
02: 2Poles  
03: 3Poles  
...  
24: 24Poles

Color/颜色  
1: Brown/棕色 6: Blue/蓝色  
2: Red/红色 7: Purple/紫色  
3: Orange/橙色 8: Grey/灰色  
4: Yellow/黄色 9: White/白色  
5: Green/绿色 A: Black/黑色

4	SCREW 螺丝	Steel	M2/Zn Plated
3	Cage 方块	Copper alloy	Ni Plated
2	PIN HEADER 焊针	Copper Alloy	Sn Plated
1	HOUSING 主体	PA66	Black/UL94 V-0
ITEM	NAME OF PART	MATERIAL	NOTES

Nominal dimension		Tolerances (mm)						
0	over 18	over 30	over 50	over 80	over 120	over 180	over 250	
to 18	to 30	to 50	to 80	to 120	to 180	to 250	to 320	
	±0.25	±0.3	±0.35	±0.5	±0.7	±0.9	±1.0	
							±1.2	

APP.	DATE:	PART NO: <b>F124D-3.81-XXP-1-X</b>
CHK.	DATE:	
DRW. T.P.W	DATE: 2024.02.29	DARWING TYPE: Customer Drawing
PROJECTION		UNITS: mm
		SCALE: 5:1
		SHEET/OF: 1/1

**AINEWELL** 昆山艾尼维尔电子有限公司  
KUN SHAN AINEWELL ELECTRONICS CO.,LTD