

REV	DESCRIPTION	DRW.	DATE
00	初版发行	M.C.N	2021.10.13

Notes/备注:

1. Electrical properties/电气特性
UL Standard/UL 标准

Use Group/应用组别	B	C	D
Rated Voltage/额定电压 (V)	300	300	/
Rated Current/额定电流 (A)	60	60	/
Withstanding voltage/工频耐电压	AC 1600V/1Min		

IEC Standard/IEC 标准

Rated Voltage/额定电压 (V): 1000
Rated Current/额定电流 (A): 65

Overvoltage Category/过电压类别 /Pollution Degree/污染等级	II/2	III/2	III/3
Voltage/电压 (V)	1000	1000	800
Rated Impulse Voltage/冲击耐电压(KV)	8	8	8

2. Connection data/连接数据

Wire range/线径范围(AWG/mm²): 20~6/0.5~16
Stripping length/剥线长度(mm): 10~11
Wire tightening torque/导线扭矩(N.m): 1.2

3. Environmental safety/环境安全

Operating temperature/工作温度范围(°C): -40~+105
RoHS compliant/符合RoHS环保要求

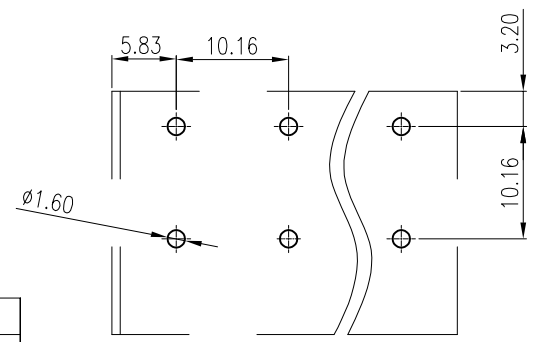
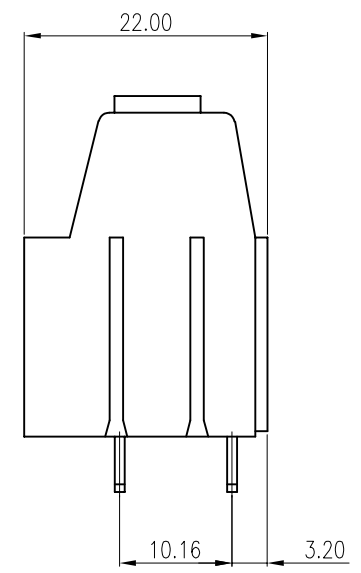
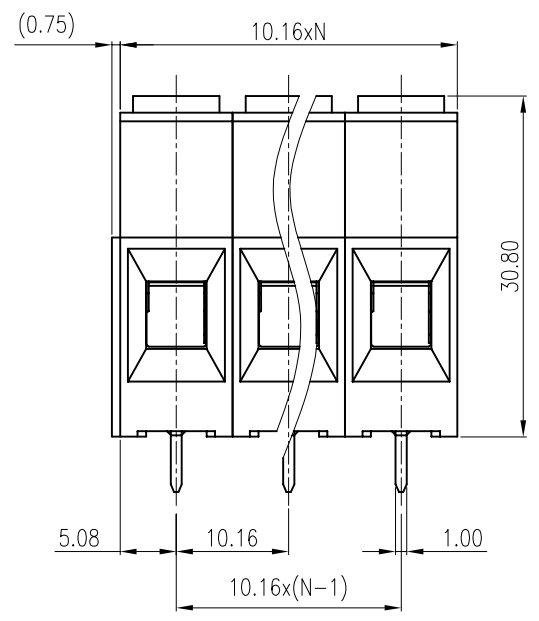
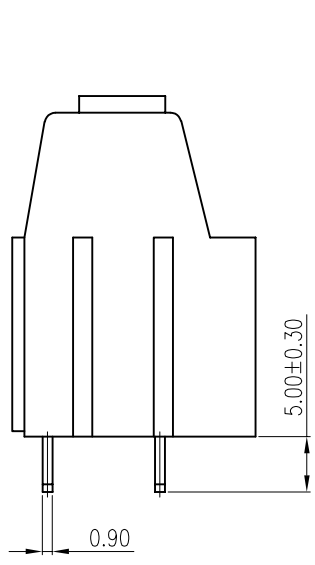
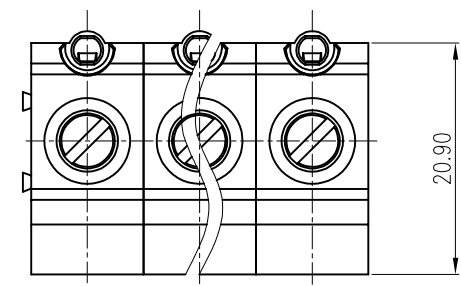
Part No./料号说明:

F136HT-10.16-XXP-1-X

Poles/P数	↑	Color/颜色	↑
02: 2Poles		1: Brown/棕色	6: Blue/蓝色
03: 3Poles		2: Red/红色	7: Purple/紫色
...		3: Orange/橙色	8: Grey/灰色
12: 12Poles		4: Yellow/黄色	9: White/白色
		5: Green/绿色	A: Black/黑色

APP.	DATE:	PART NO.:
CHK.	DATE:	F136HT-10.16-XXP-1-X
DRW. M.C.N	DATE: 2021.10.13	DARWING TYPE: Customer Drawing
PROJECTION		UNITS: mm SCALE: 2:1 SHEET/OF: 1/1

AINEWELL 昆山艾尼维尔电子有限公司
KUN SHAN AINEWELL ELECTRONICS CO.,LTD



Nominal dimension		Tolerances (mm)						
0	over 18	over 30	over 50	over 80	over 120	over 180	over 250	
to 18	to 30	to 50	to 80	to 120	to 180	to 250	to 320	
	±0.25	±0.3	±0.35	±0.5	±0.7	±0.9	±1.0 ±1.2	