

REV	DESCRIPTION	DRW.	DATE
00	初版发行	M.C.N	2022.10.11

Notes/备注:

1. Electrical properties/电气特性
UL Standard/UL 标准

Use Group/应用组别	B	C	D
Rated Voltage/额定电压 (V)	300	/	300
Rated Current/额定电流 (A)	15	/	10
Withstanding voltage/工频耐电压	AC 2000V/1Min		

IEC Standard/IEC标准

Rated Voltage/额定电压 (V): 320
Rated Current/额定电流 (A): 15

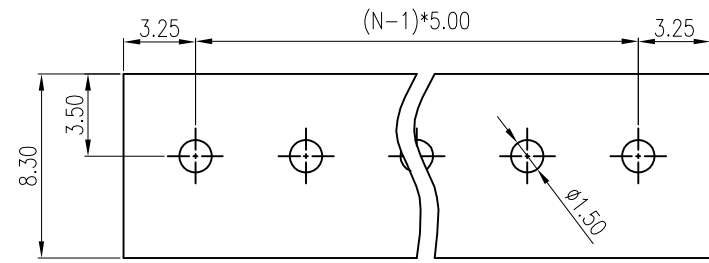
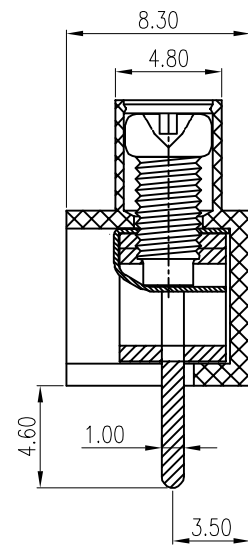
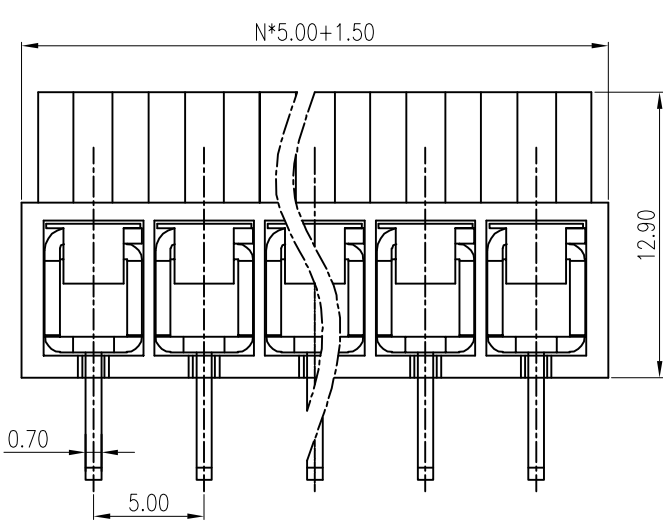
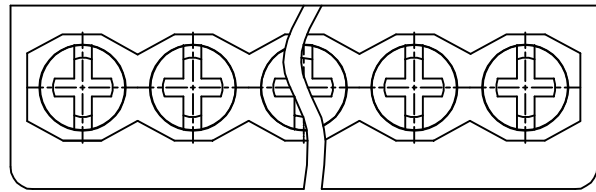
Overvoltage Category/过电压类别 /Pollution Degree/污染等级	II/2	III/2	III/3
Voltage/电压 (V)	630	320	250
Rated Impulse Voltage/冲击耐电压(KV)	4	4	4

2. Connection data/连接数据

Wire range/线径范围(AWG/mm²): 22~12/1.0~2.5
Stripping length/剥线长度(mm): 7
Wire tightening torque/导线扭矩(N.m): 0.5

3. Environmental safety/环境安全

Operating temperature/工作温度范围(°C): -40~+105
RoHS compliant/符合RoHS环保要求



P.C.B. LAYOUT

Part No./料号说明:

F166-5.0-XXP-2CX-W01

Poles/P数

- 02: 2Poles
- 03: 3Poles
- ...
- 24: 24Poles

Color/颜色

- 1: Brown/棕色
- 2: Red/红色
- 3: Orange/橙色
- 4: Yellow/黄色
- 5: Green/绿色
- 6: Blue/蓝色
- 7: Purple/紫色
- 8: Grey/灰色
- 9: White/白色
- A: Black/黑色

Nominal dimension		Tolerances (mm)					
0	over	over	over	over	over	over	over
to	18	30	50	80	120	180	250
18	to	to	to	to	to	to	to
	30	50	80	120	180	250	320
	±0.25	±0.3	±0.35	±0.5	±0.7	±0.9	±1.0
							±1.2

APP.	DATE:	PART NO:	
CHK.	DATE:	F166-5.0-XXP-2CX-W01	
DRW. M.C.N	DATE: 2022.10.11	DARWING TYPE: Customer Drawing	
PROJECTION		UNITS: mm	SCALE: 4:1 SHEET/OF: 1/1
		昆山艾尼维尔电子有限公司 KUN SHAN AINEWELL ELECTRONICS CO.,LTD	