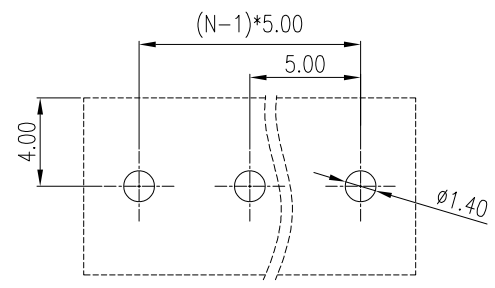
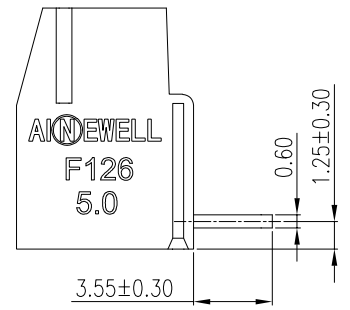
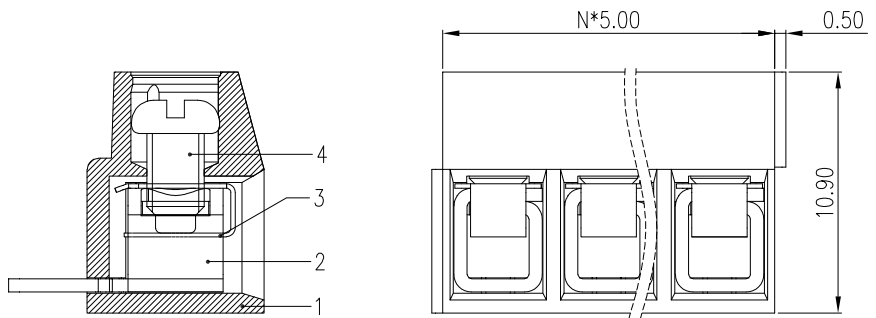
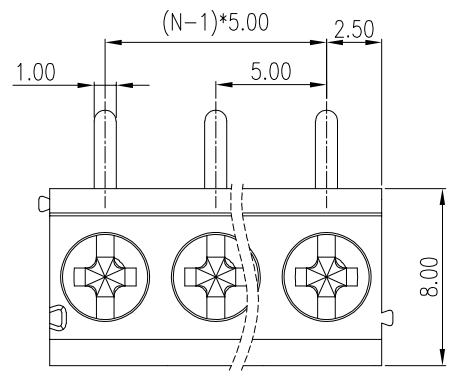


REV	DESCRIPTION	DRW.	DATE
00	初版发行	T.P.W	2023.11.22



Part No./料号说明:
F126R-5.0-XXP-2-X

		Nominal dimension Tolerances (mm)						
		over 18	over 30	over 50	over 80	over 120	over 180	over 250
0	to 18	±0.25	±0.3	±0.35	±0.5	±0.7	±0.9	±1.0
18	to 320	±0.3	±0.5	±0.8	±1.2	±1.5	±2.0	±2.5

- Poles/P数
02: 2Poles
05: 5Poles
- Color/颜色
1: Brown/棕色
2: Red/红色
3: Orange/橙色
4: Yellow/黄色
5: Green/绿色
6: Blue/蓝色
7: Purple/紫色
8: Grey/灰色
9: White/白色
A: Black/黑色

Notes/备注:
1. Electrical properties/电气特性
UL Standard/UL标准

Use Group/应用组别	B	C	D
Rated Voltage/额定电压 (V)	300	/	300
Rated Current/额定电流 (A)	10	/	10
Withstanding voltage/工频耐电压	AC 1600V/1Min		

IEC Standard/IEC标准

Rated Voltage/额定电压 (V): 320
Rated Current/额定电流 (A): 18

Overvoltage Category/过电压类别 /Pollution Degree/污染等级	II/2	III/2	III/3
Voltage/电压 (V)	600	320	250
Rated Impulse Voltage/冲击耐电压 (KV)	4	4	4

2. Connection data/连接数据

Wire range/线径范围 (AWG/mm²): 26~14/0.5~2.5
Stripping length/剥线长度 (mm): 5~6
Wire tightening torque/导线扭矩 (N.m): 0.34~0.4

3. Environmental safety/环境安全

Operating temperature/工作温度范围 (°C): -40~+105
RoHS compliant/符合RoHS环保要求

4	Screw 螺丝	Stainless steel	M2.6
3	Spring 弹片	Stainless steel	/
2	Cage 方块	Copper Alloy	Sn Plated
1	HOUSING 主体	PA66	Green/UL94 V-0
ITEM	NAME OF PART	MATERIAL	NOTES

APP.	DATE:	PART NO.: F126R-5.0-XXP-2-X	
CHK.	DATE:		
DRW. T.P.W	DATE: 2023.11.22	DARWING TYPE: Customer Drawing	
PROJECTION		UNITS: mm	SCALE: 4:1 SHEET/OF: 1/1
		昆山艾尼维尔电子有限公司 KUN SHAN AINDEWELL ELECTRONICS CO.,LTD	