

REV	DESCRIPTION	DRW.	DATE
00	初版发行	T.P.W	2023.11.22

Notes/备注:

1. Electrical properties/电气特性  
UL Standard/UL标准

Use Group/应用组别	B	C	D
Rated Voltage/额定电压 (V)	300	/	300
Rated Current/额定电流 (A)	10	/	10
Withstanding voltage/工频耐电压	AC 1600V/1Min		

IEC Standard/IEC标准

Rated Voltage/额定电压 (V): 320  
Rated Current/额定电流 (A): 18

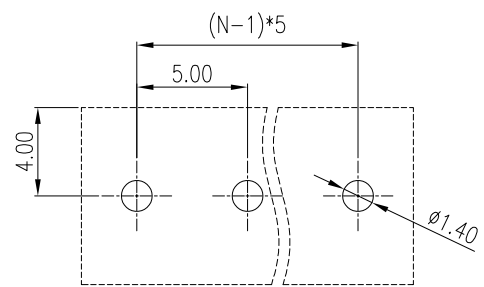
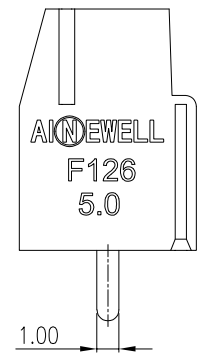
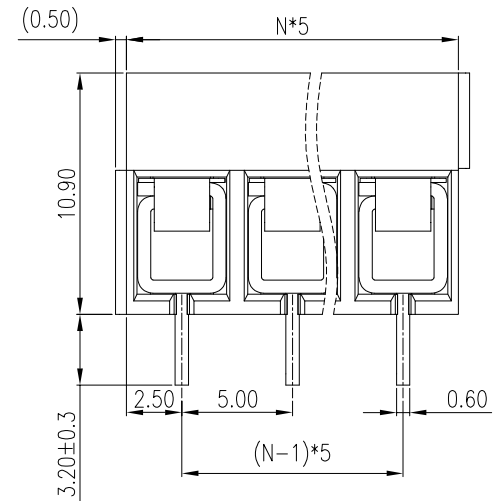
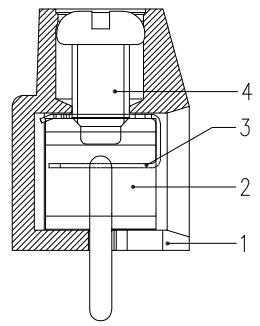
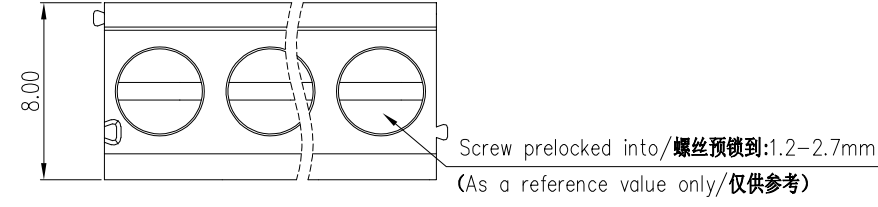
Overvoltage Category/过电压类别 /Pollution Degree/污染等级	II/2	III/2	III/3
Voltage/电压 (V)	600	320	250
Rated Impulse Voltage/冲击耐电压 (KV)	4	4	4

2. Connection data/连接数据

Wire range/线径范围 (AWG/mm<sup>2</sup>): 26~14/0.5~2.5  
Stripping length/剥线长度 (mm): 5~6  
Wire tightening torque/导线扭矩 (N.m): 0.34~0.4

3. Environmental safety/环境安全

Operating temperature/工作温度范围 (°C): -40~+105  
RoHS compliant/符合RoHS环保要求



Part No./料号说明:

F126-5.0-XXP-1-X

- 产品型号: F126-5.0-XXP-1-X  
间距: mm  
Poles/P数: 02: 2Poles, 03: 3Poles  
Color/颜色:  
1: Brown/棕色, 2: Red/红色, 3: Orange/橙色, 4: Yellow/黄色, 5: Green/绿色, 6: Blue/蓝色, 7: Purple/紫色, 8: Grey/灰色, 9: White/白色, A: Black/黑色

4	Screw 螺丝	Stainless steel	M2.6
3	Spring 弹片	Stainless steel	/
2	Cage 方块	Copper Alloy	Sn Plated
1	HOUSING 主体	PA66	Green/UL94 V-0
ITEM	NAME OF PART	MATERIAL	NOTES

APP.	DATE:	PART NO.: F126-5.0-XXP-1-X	
CHK.	DATE:		
DRW. T.P.W	DATE: 2023.11.22	DARWING TYPE: Customer Drawing	
PROJECTION		UNITS: mm	SCALE: 4:1 SHEET/OF: 1/1
		昆山艾尼维尔电子有限公司 KUN SHAN AINEWELL ELECTRONICS CO.,LTD	

Nominal dimension Tolerances (mm)							
0	over 18	over 30	over 50	over 80	over 120	over 180	over 250
to 18	to 30	to 50	to 80	to 120	to 180	to 250	to 320
±0.25	±0.3	±0.35	±0.5	±0.7	±0.9	±1.0	±1.2