

REV	DESCRIPTION	DRW.	DATE
00	初版发行	M.C.N	2023.07.03

Notes/备注:

1. Electrical properties/电气特性
UL Standard/UL 标准

Use Group/应用组别	B	C	D
Rated Voltage/额定电压 (V)	600	600	600
Rated Current/额定电流 (A)	70	70	5
Withstanding voltage/工频耐电压	AC 2200V/1Min		

IEC Standard/IEC 标准

Rated Voltage/额定电压 (V): 1000
Rated Current/额定电流 (A): 76

Overvoltage Category/过电压类别 /Pollution Degree/污染等级	II/2	III/2	III/3
Voltage/电压 (V)	1000	1000	1000
Rated Impulse Voltage/冲击耐电压 (KV)	8	8	8

2. Connection data/连接数据

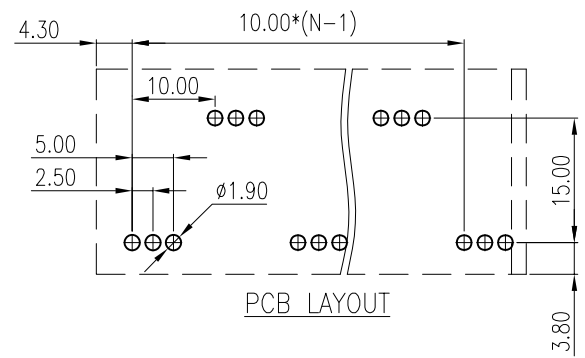
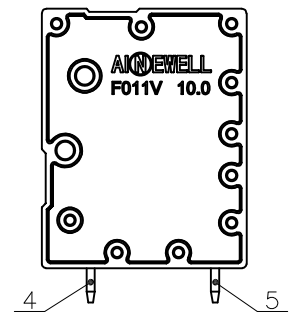
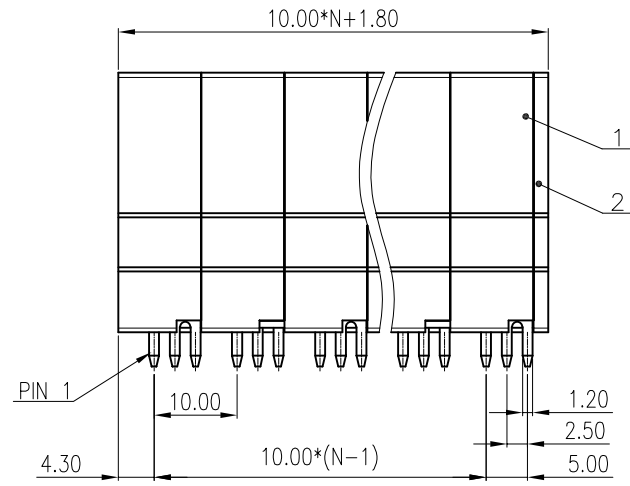
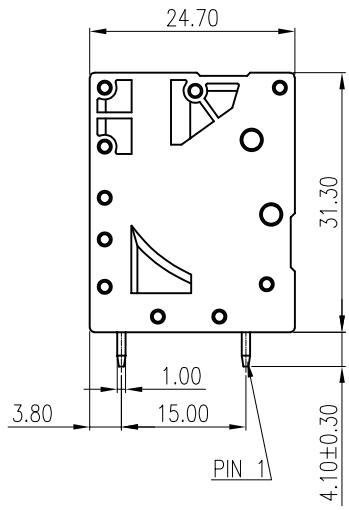
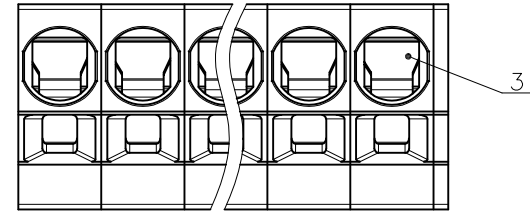
Wire range/线径范围(AWG/mm²): 20~4/0.5~16
Stripping length/剥线长度(mm): 17~18

3. Environmental safety/环境安全

Operating temperature/工作温度范围(°C): -40~+105
RoHS compliant/符合RoHS环保要求

5	SOLDER PIN 2 端子2	Copper Alloy	Sn Plated
4	SOLDER PIN 1 端子1	Copper Alloy	Sn Plated
3	SPRING 弹片	Stainless steel	/
2	COVER 盖板	PA66	UL94 V-0
1	HOUSING 主体	PA66	UL94 V-0
ITEM	NAME OF PART	MATERIAL	NOTES

APP.	DATE:	PART NO: F011V-10.0-XXP-X
CHK.	DATE:	
DRW. M.C.N	DATE: 2023.07.03	DARWING TYPE: Customer Drawing
PROJECTION		UNITS: mm SCALE: 1.5:1 SHEET/OF: 1/1
AINEWELL		昆山艾尼维尔电子有限公司 KUN SHAN AINWELL ELECTRONICS CO.,LTD



Part No./料号说明:
F011V-10.0-XXP-X

Nominal dimension Tolerances (mm)							
0	over 18	over 30	over 50	over 80	over 120	over 180	over 250
to 18	to 30	to 50	to 80	to 120	to 180	to 250	to 320
±0.25	±0.3	±0.35	±0.5	±0.7	±0.9	±1.0	±1.2

Poles/P数
02: 2Poles
03: 3Poles
...
12: 12Poles

Color/颜色
1: Brown/棕色
2: Red/红色
3: Orange/橙色
4: Yellow/黄色
5: Green/绿色
6: Blue/蓝色
7: Purple/紫色
8: Grey/灰色
9: White/白色
A: Black/黑色