

REV	DESCRIPTION	DRW.	DATE
00	初版发行	M.C.N	2024.06.24

Notes/备注:

1. Electrical properties/电气特性  
UL Standard/UL标准

Use Group/应用组别	B	C	D
Rated Voltage/额定电压 (V)	600	600	600
Rated Current/额定电流 (A)	35	35	5
Withstanding voltage/工频耐受电压	AC 2200V/1Min		

IEC Standard/IEC标准

Rated Voltage/额定电压 (V): 1000  
Rated Current/额定电流 (A): 41

Overvoltage Category/过电压类别 /Pollution Degree/污染等级	II/2	III/2	III/3
Voltage/电压 (V)	1000	1000	800
Rated Impulse Voltage/冲击耐受电压(kV)	8	8	8

- Connection data/连接数据  
Wire range/线径范围(AWG/mm<sup>2</sup>): 24~8/0.2~6  
Stripping length/剥线长度(mm): 15
- Environmental safety/环境安全  
Operating temperature/工作温度范围(°C): -40~+105  
RoHS compliant/符合RoHS环保要求

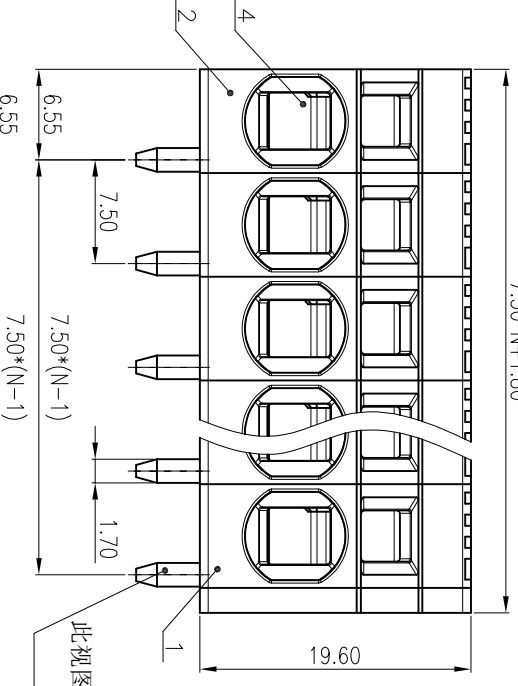
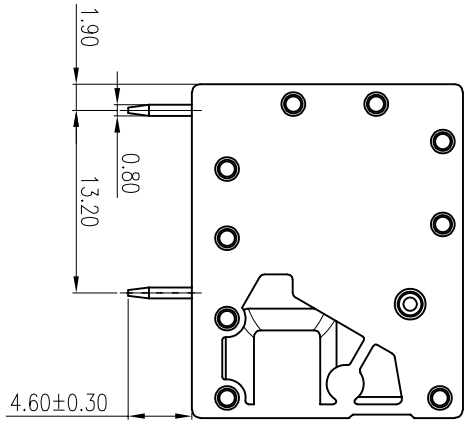
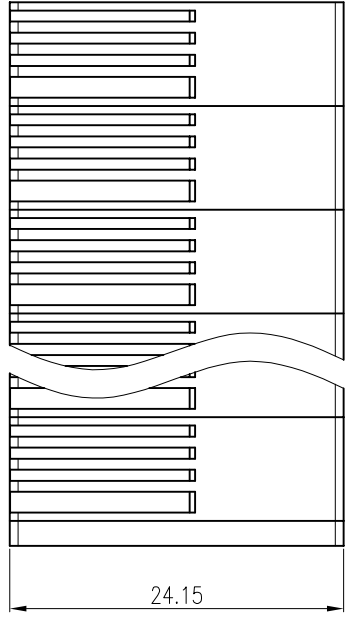
ITEM	NAME OF PART	MATERIAL	NOTES
6	SOLDER PIN 2 端子2	Copper Alloy	Sn Plated
5	SOLDER PIN 1 端子1	Copper Alloy	Sn Plated
4	SPRING 弹片	Stainless steel	/
3	COVER 盖板	PA66	UL94 V-0
2	HOUSING 2 主体2	PA66	UL94 V-0
1	HOUSING 1 主体1	PA66	UL94 V-0

PART NO.: F011R-7.5-XXP-X

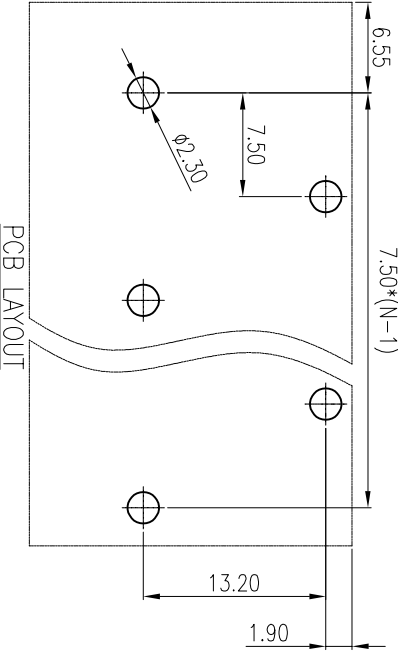
APP. M.X.B	DATE: 2024.06.24
CHK. C.W	DATE: 2024.06.24
DRW. M.C.N	DATE: 2024.06.24
PROJECTION	DARWINING TYPE: Customer Drawing
UNITS: mm	SCALE: 2.5:1
SHEET/OF: 1/1	



昆山艾尼维尔电子有限公司  
KUN SHAN AINWELL ELECTRONICS CO.,LTD



此视图中: 右起第一位  
为前出脚



Nominal dimension		Tolerances (mm)	
0 to 18	over 18	±0.25	±0.3
18 to 30	over 30	±0.35	±0.5
30 to 50	over 50	±0.7	±0.9
50 to 80	over 80	±0.9	±1.0
80 to 120	over 120	±1.0	±1.2
120 to 180	over 180		
180 to 250	over 250		
250 to 320	over 320		

Part No./料号说明:  
F011R-7.5-XXP-X

Poles/脚数

Color/颜色

1: Brown/棕色  
2: Red/红色  
3: Orange/橙色  
4: Yellow/黄色  
5: Green/绿色  
6: Blue/蓝色  
7: Purple/紫色  
8: Grey/灰色  
9: White/白色  
A: Black/黑色

02: 2Poles  
03: 3Poles  
...  
16: 16Poles