

REV	DESCRIPTION	DRW.	DATE
00	初版发行	M.C.N	2021.10.13

Notes/备注:

1. Electrical properties/电气特性
UL Standard/UL 标准

Use Group/应用组别	B	C	D
Rated Voltage/额定电压 (V)	300	/	300
Rated Current/额定电流 (A)	10	/	10
Withstanding voltage/工频耐电压	AC 1600V/1Min		

IEC Standard/IEC 标准

Rated Voltage/额定电压 (V): 320
Rated Current/额定电流 (A): 17.5

Overvoltage Category/过电压类别 /Pollution Degree/污染等级	II/2	III/2	III/3
Voltage/电压 (V)	630	320	250
Rated Impulse Voltage/冲击耐电压(KV)	4	4	4

2. Connection data/连接数据

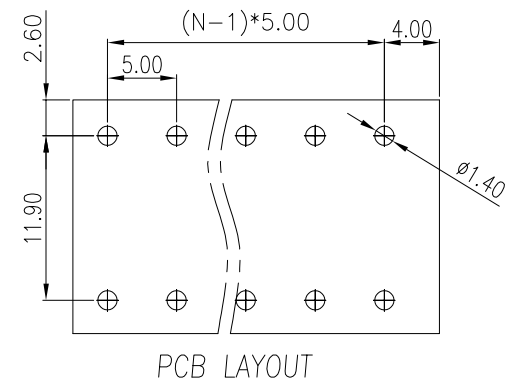
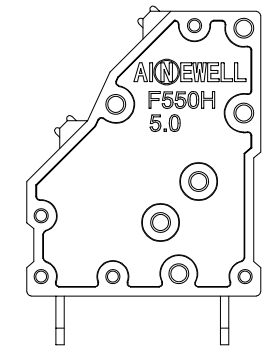
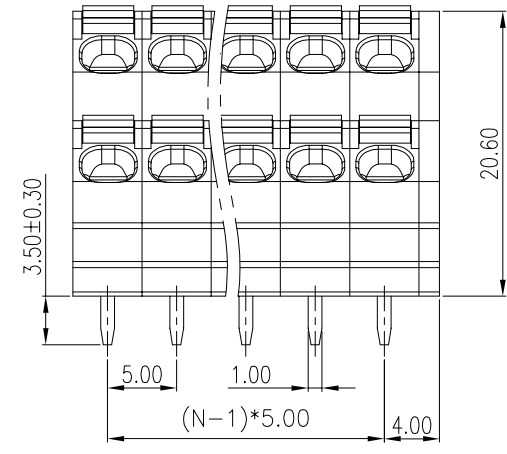
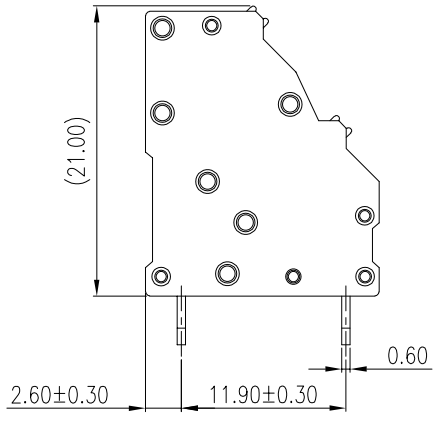
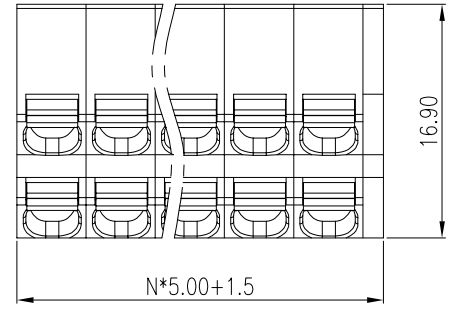
Wire range/线径范围(AWG/mm²): 26~16/0.2~1.5
Stripping length/剥线长度(mm): 9~10

3. Environmental safety/环境安全

Operating temperature/工作温度范围(°C): -40~+105
RoHS compliant/符合RoHS环保要求

7	PIN HEADER 焊针2	Copper Alloy	Sn Plated
6	PIN HEADER 焊针1	Copper Alloy	Sn Plated
5	SHRAPNEL 弹片	Steel	/
4	BUTTON 按钮	POM	Orange/UL94 V-0
3	COVER 盖板	PA66	UL94 V-0
2	HOUSING 主体2	PA66	UL94 V-0
1	HOUSING 主体1	PA66	UL94 V-0
ITEM	NAME OF PART	MATERIAL	NOTES

APP.	DATE:	PART NO:	
CHK.	DATE:	F550H-5.0XXP-X	
DRW. M.C.N	DATE: 2021.10.13	DARWING TYPE: Customer Drawing	
PROJECTION		UNITS: mm	SCALE: 2.5:1 SHEET/OF: 1/1
		昆山艾尼维尔电子有限公司 KUN SHAN AINEWELL ELECTRONICS CO.,LTD	



Nominal dimension Tolerances (mm)							
0	over 18	over 30	over 50	over 80	over 120	over 180	over 250
to 18	to 30	to 50	to 80	to 120	to 180	to 250	to 320
±0.25	±0.3	±0.35	±0.5	±0.7	±0.9	±1.0	±1.2