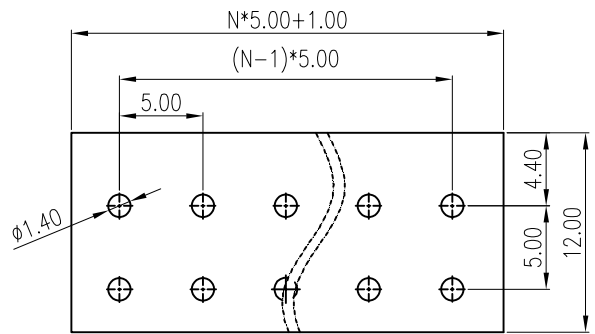
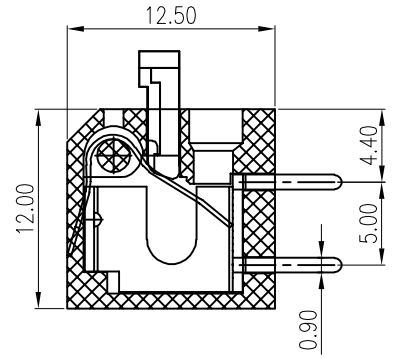
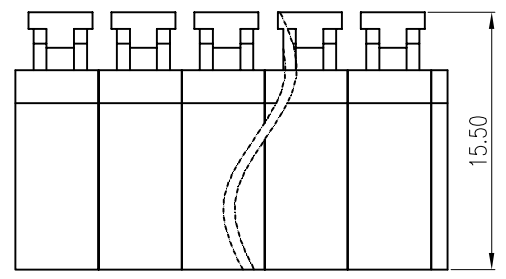
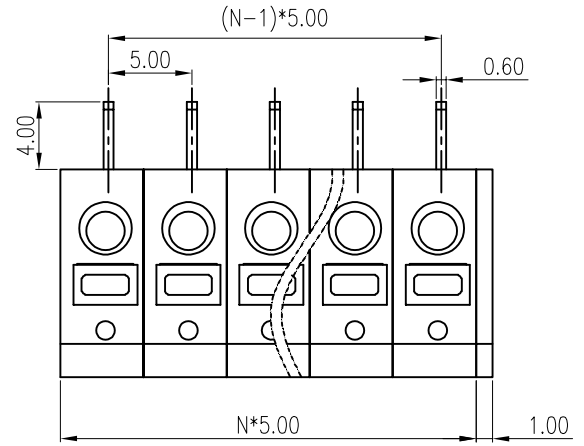


REV	DESCRIPTION	DRW.	DATE
00	初版发行	M.C.N	2022.06.28



P.C.B. LAYOUT

Notes/备注:

1. Electrical properties/电气特性
UL Standard/UL标准

Use Group/应用组别	B	C	D
Rated Voltage/额定电压 (V)	300	/	300
Rated Current/额定电流 (A)	10	/	10
Withstanding voltage/工频耐压	AC 1600V/1Min		

IEC Standard/IEC标准

Rated Voltage/额定电压 (V): 320
Rated Current/额定电流 (A): 10

Overvoltage Category/过电压类别 /Pollution Degree/污染等级	II/2	III/2	III/3
Voltage/电压 (V)	630	320	200
Rated Impulse Voltage/冲击耐压(KV)	4	4	4

2. Connection data/连接数据

Wire range/线径范围(AWG/mm²): 22~14/0.2~1.5
Stripping length/剥线长度(mm): 8~9

3. Environmental safety/环境安全

Operating temperature/工作温度范围(°C): -40~+105
RoHS compliant/符合RoHS环保要求

Part No./料号说明:

F246R-5.0-XXP-X-W01

Poles/P数	Color/颜色
02: 2Poles	1: Brown/棕色
03: 3Poles	2: Red/红色
...	3: Orange/橙色
24: 24Poles	4: Yellow/黄色
	5: Green/绿色
	6: Blue/蓝色
	7: Purple/紫色
	8: Grey/灰色
	9: White/白色
	A: Black/黑色

Nominal dimension		Tolerances (mm)						
0	over 18	over 30	over 50	over 80	over 120	over 180	over 250	
to 18	to 30	to 50	to 80	to 120	to 180	to 250	to 320	
	±0.25	±0.3	±0.35	±0.5	±0.7	±0.9	±1.2	

APP.	DATE:	PART NO: F246R-5.0-XXP-X-W01	
CHK.	DATE:		
DRW. M.C.N	DATE: 2022.06.28	DARWING TYPE: Customer Drawing	
PROJECTION		UNITS: mm	SCALE: 3:1 SHEET/OF: 1/1
AINEWELL		昆山艾尼维尔电子有限公司 KUN SHAN AINEWELL ELECTRONICS CO.,LTD	