

REV	DESCRIPTION	DRW.	DATE
00	初版发行	M.C.N	2022.08.05

Notes/备注:

1. Electrical properties/电气特性  
UL Standard/UL标准

Use Group/应用组别	B	C	D
Rated Voltage/额定电压 (V)	300	/	300
Rated Current/额定电流 (A)	15	/	10
Withstanding voltage/工频耐压	AC 2500V/1min		

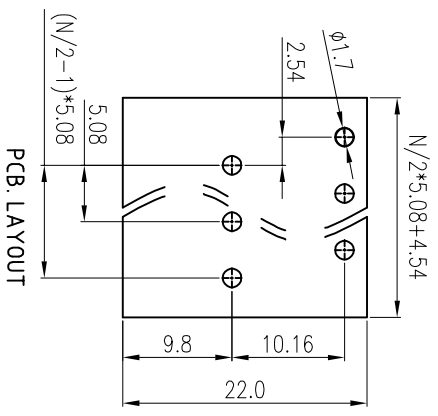
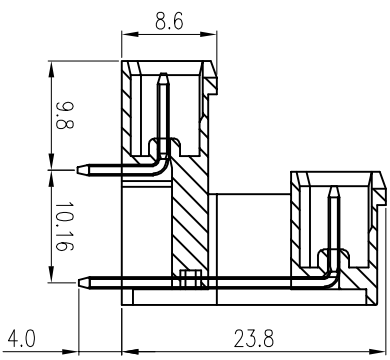
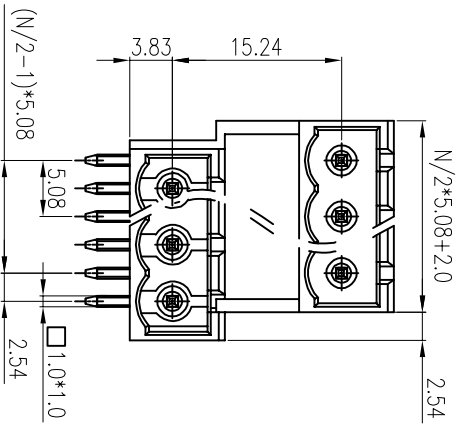
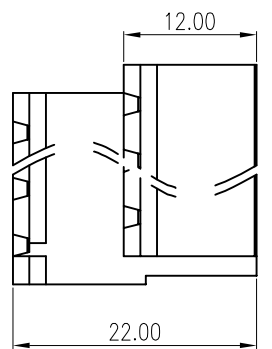
IEC Standard/IEC标准

Rated Voltage/额定电压 (V) : 300  
Rated Current/额定电流 (A) : 16

Overvoltage Category/过电压类别 /Pollution Degree/污染等级	II/2	III/2	III/3
Voltage/电压 (V)	630	320	250
Rated Impulse Voltage/冲击耐受电压(kV)	4	4	4

2. Environmental safety/环境安全

Operating temperature/工作温度范围(°C): -40~+105  
RoHS compliant/符合RoHS环保要求



Nominal dimension Tolerances (mm)

	0 to 18	18 to 30	30 to 50	50 to 80	80 to 120	120 to 180	180 to 250	250 to 320
over	±0.25	±0.3	±0.35	±0.5	±0.7	±0.9	±1.0	±1.2
to								

Part No./料号说明:  
F8HRTC-5.08-XXP-X-W01

Poles/极数	Color/颜色
02: 2Poles	1: Brown/棕色
04: 4Poles	2: Red/红色
..	3: Orange/橙色
48: 48Poles	4: Yellow/黄色
	5: Green/绿色
	6: Blue/蓝色
	7: Purple/紫色
	8: Grey/灰色
	9: White/白色
	A: Black/黑色

PART NO.:  
F8HRTC-5.08-XXP-X-W01

APP. CHK	DATE:	PART NO.:
		F8HRTC-5.08-XXP-X-W01
DRW. M.C.N	DATE: 2022.08.05	DRAWING TYPE: Customer Drawing
PROJECTION	UNITS: mm	SCALE: 2:1
		SHEET/OF: 1/1

**AINEWELL** 昆山艾尼维尔电子有限公司  
KUN SHAN AINEWELL ELECTRONICS CO.,LTD