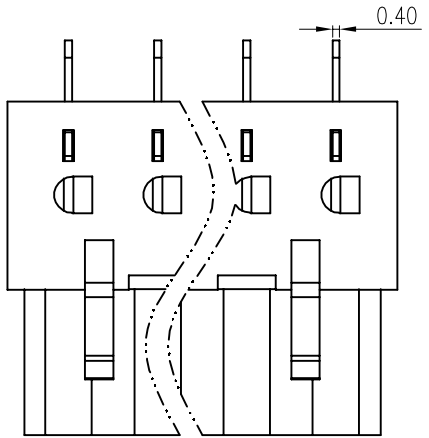
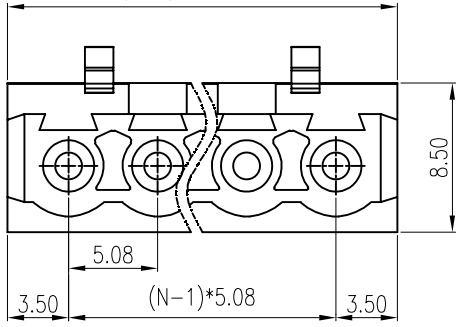


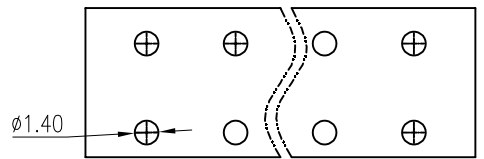
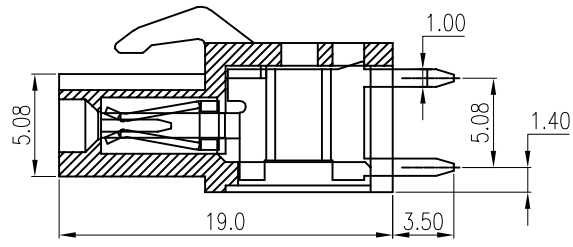
REV	DESCRIPTION	DRW.	DATE
00	初版发行	M.C.N	2022.10.12



N=Number of contacts  
 $(N-1)*5.08+7.00$



P.C.B LAYOUT



Notes/备注:

1. Electrical properties/电气特性  
 UL Standard/UL标准

Use Group/应用组别	B	C	D
Rated Voltage/额定电压 (V)	300	/	300
Rated Current/额定电流 (A)	15	/	10
Withstanding voltage/工频耐电压	AC 1600V/1Min		

IEC Standard/IEC标准

Rated Voltage/额定电压 (V): 320  
 Rated Current/额定电流 (A): 16

Overvoltage Category/过电压类别 /Pollution Degree/污染等级	II/2	III/2	III/3
Voltage/电压 (V)	630	320	320
Rated Impulse Voltage/冲击耐电压 (KV)	4	4	4

2. Environmental safety/环境安全

Operating temperature/工作温度范围(°C): -40~+105  
 RoHS compliant/符合RoHS环保要求

Part No./料号说明:

F8A-D-5.08-XXP-X

Poles/P数	Color/颜色
02: 2Poles	1: Brown/棕色 6: Blue/蓝色
03: 3Poles	2: Red/红色 7: Purple/紫色
...	3: Orange/橙色 8: Grey/灰色
24: 24Poles	4: Yellow/黄色 9: White/白色
	5: Green/绿色 A: Black/黑色

Nominal dimension Tolerances (mm)							
	over 18	over 30	over 50	over 80	over 120	over 180	over 250
	to 18	to 30	to 50	to 80	to 120	to 180	to 250
	to 30	to 50	to 80	to 120	to 180	to 250	to 320
	±0.25	±0.3	±0.35	±0.5	±0.7	±1.0	±1.2

APP.	DATE:	PART NO.: <b>F8A-D-5.08-XXP-X</b>	
CHK.	DATE:		
DRW. M.C.N	DATE: 2022.10.12	DARWING TYPE: Customer Drawing	
PROJECTION		UNITS: mm	SCALE: 4.5:1 SHEET/OF: 1/1
<b>AINEWELL</b>		昆山艾尼维尔电子有限公司 KUN SHAN AINEWELL ELECTRONICS CO.,LTD	