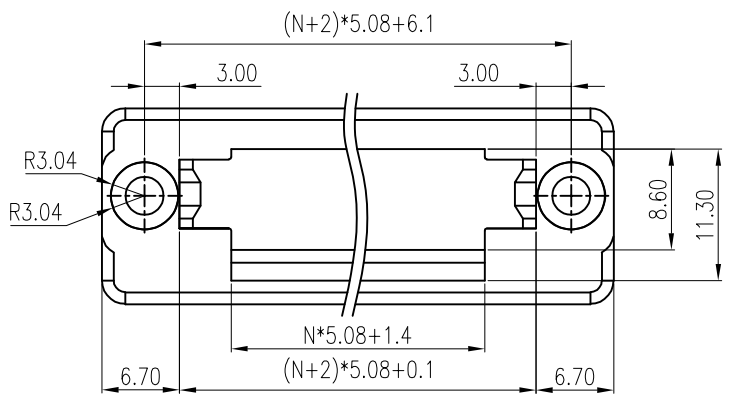
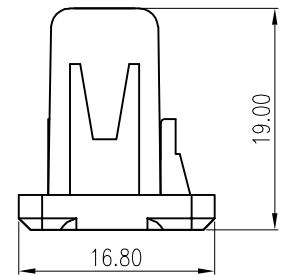
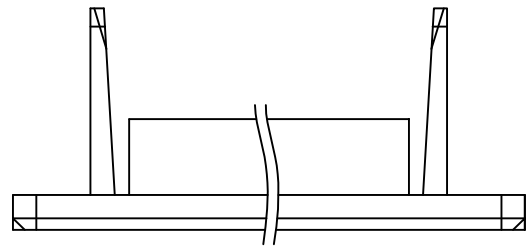
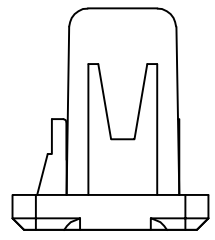
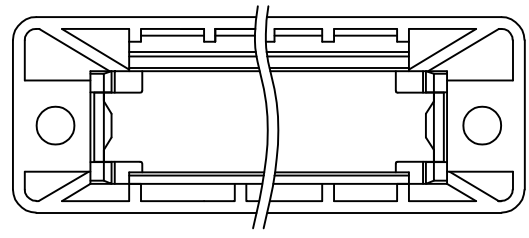


REV	DESCRIPTION	DRW.	DATE
00	初版发行	M.C.N	2022.09.26

Notes/备注:

- Environmental safety/环境安全  
Operating temperature/工作温度范围(°C): -40~+105  
RoHS compliant/符合RoHS环保要求



Part No./料号说明:

F7A-Z-5.08-XXP-X-W01

Poles/P数	Color/颜色
02: 2Poles	1: Brown/棕色 6: Blue/蓝色
03: 3Poles	2: Red/红色 7: Purple/紫色
...	3: Orange/橙色 8: Grey/灰色
24: 24Poles	4: Yellow/黄色 9: White/白色
	5: Green/绿色 A: Black/黑色

Nominal dimension		Tolerances (mm)					
0	over	over	over	over	over	over	over
to	18	30	50	80	120	180	250
18	to	to	to	to	to	to	to
	30	50	80	120	180	250	320
	±0.25	±0.3	±0.35	±0.5	±0.7	±1.0	±1.2

APP.	DATE:	PART NO:	
CHK.	DATE:	F7A-Z-5.08-XXP-X-W01	
DRW. M.C.N	DATE: 2022.09.26	DARWING TYPE: Customer Drawing	
PROJECTION		UNITS: mm	SCALE: 2:1 SHEET/OF: 1/1
		昆山艾尼维尔电子有限公司 KUN SHAN AINEWELL ELECTRONICS CO.,LTD	