

REV	DESCRIPTION	DRW.	DATE
00	初版发行	M.C.N	2022.08.31

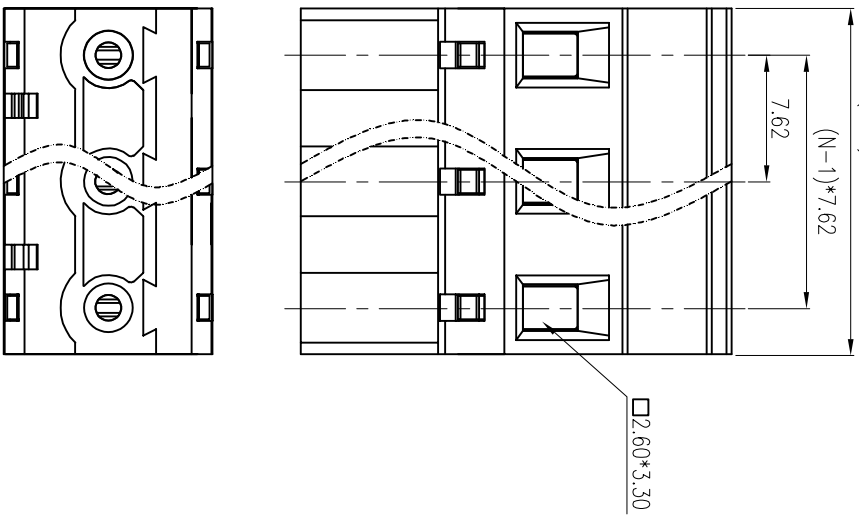
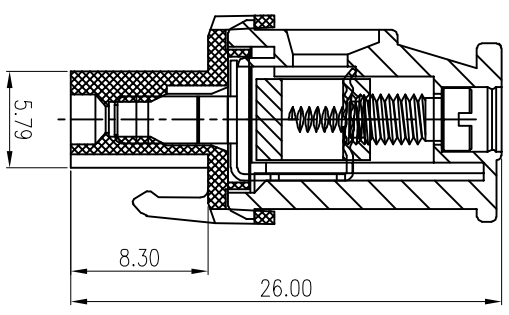
Notes/备注:  
1. Electrical properties/电气特性  
UL Standard/UL标准

Use Group/应用组别	B	C	D
Rated Voltage/额定电压 (V)	300	/	300
Rated Current/额定电流 (A)	15	/	10
Withstanding voltage/工频耐电压	AC 1600V/1min		

IEC Standard/IEC标准  
Rated Voltage/额定电压 (V): 630  
Rated Current/额定电流 (A): 16

Overvoltage Category/过电压类别 /Pollution Degree/污染等级	II/2	III/2	III/3
Voltage/电压 (V)	1000	630	500
Rated Impulse Voltage/冲击耐电压 (kV)	6	6	6

- Connection data/连接数据  
Wire range/线径范围 (AWG/mm<sup>2</sup>): 28~12/0.2~2.5  
Stripping length/剥线长度 (mm): 6~7  
Wire tightening torque/导线扭矩 (N.m): 0.5~0.6
- Environmental safety/环境安全  
Operating temperature/工作温度范围 (°C): -40~+105  
RoHS compliant/符合RoHS环保要求



Nominal dimension Tolerances (mm)

	0 to 18	18 to 30	30 to 50	50 to 80	80 to 120	120 to 180	180 to 250	250 to 320
±0.25	±0.3	±0.35	±0.5	±0.7	±0.9	±1.0	±1.2	

Part No./料号说明:  
F7EB-7.62-XXP-1-X-W01

Poles/数	Color/颜色
02: 2Poles	1: Brown/棕色
03: 3Poles	2: Red/红色
..	3: Orange/橙色
24: 24Poles	4: Yellow/黄色
	5: Green/绿色
	6: Blue/蓝色
	7: Purple/紫色
	8: Grey/灰色
	9: White/白色
	A: Black/黑色

APP.	DATE:	PART NO.
CHK	DATE:	F7EB-7.62-XXP-1-X-W01
DRW. M.C.N	DATE: 2022.08.31	DRAWING TYPE: Customer Drawing
PROJECTION	UNITS: mm	SCALE: 3:1
		SHEET/OF: 1/1

**AINEWELL** 昆山艾尼维尔电子有限公司  
KUN SHAN AINEWELL ELECTRONICS CO.,LTD