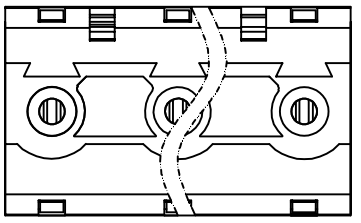
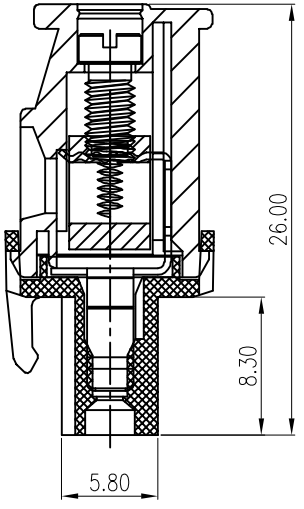
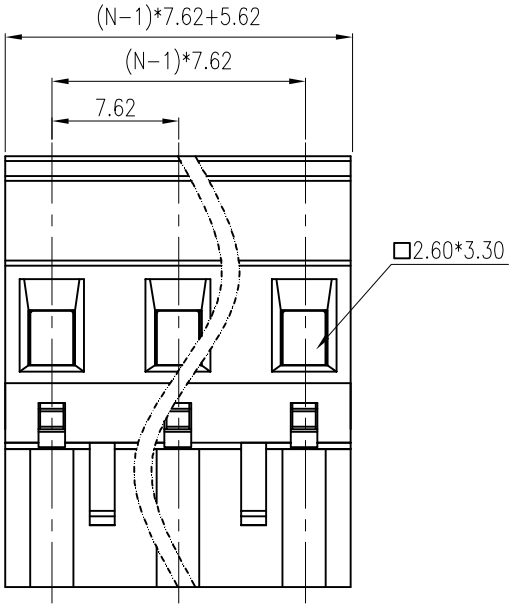
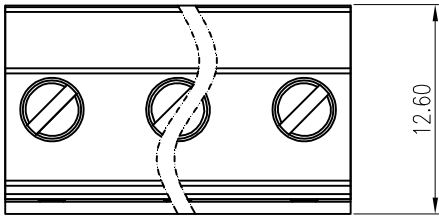


| REV | DESCRIPTION | DRW.  | DATE       |
|-----|-------------|-------|------------|
| 00  | 初版发行        | M.C.N | 2022.08.31 |



Notes/备注:

1. Electrical properties/电气特性  
UL Standard/UL 标准

| Use Group/应用组别             | B             | C | D   |
|----------------------------|---------------|---|-----|
| Rated Voltage/额定电压 (V)     | 300           | / | 300 |
| Rated Current/额定电流 (A)     | 15            | / | 10  |
| Withstanding voltage/工频耐电压 | AC 1600V/1Min |   |     |

IEC Standard/IEC 标准

Rated Voltage/额定电压 (V): 630  
Rated Current/额定电流 (A): 16

| Overvoltage Category/过电压类别<br>/Pollution Degree/污染等级 | II/2 | III/2 | III/3 |
|--|------|-------|-------|
| Voltage/电压 (V)                                       | 1000 | 630   | 500   |
| Rated Impulse Voltage/冲击耐电压(KV)                      | 6    | 6     | 6     |

2. Connection data/连接数据

Wire range/线径范围(AWG/mm<sup>2</sup>): 28~12/0.2~2.5  
Stripping length/剥线长度(mm): 6~7  
Wire tightening torque/锁线扭矩(N.m): 0.5~0.6

3. Environmental safety/环境安全

Operating temperature/工作温度范围(°C): -40~+105  
RoHS compliant/符合RoHS环保要求

Part No./料号说明:

F7EA-7.62-XXP-1-X-W01

Poles/P数

02: 2Poles  
03: 3Poles  
...  
24: 24Poles

Color/颜色

1: Brown/棕色  
2: Red/红色  
3: Orange/橙色  
4: Yellow/黄色  
5: Green/绿色  
6: Blue/蓝色  
7: Purple/紫色  
8: Grey/灰色  
9: White/白色  
A: Black/黑色

| Nominal dimension |         | Tolerances (mm) |         |         |          |          |          |
|-------------------|---------|-----------------|---------|---------|----------|----------|----------|
| 0                 | over 18 | over 30         | over 50 | over 80 | over 120 | over 180 | over 250 |
| to 18             | to 30   | to 50           | to 80   | to 120  | to 180   | to 250   | to 320   |
|                   | ±0.25   | ±0.3            | ±0.35   | ±0.5    | ±0.7     | ±0.9     | ±1.2     |

|            |                  |   |                          |
|------------|------------------|---|--------------------------|
| APP.       | DATE:            | PART NO:  |                          |
| CHK.       | DATE:            | F7EA-7.62-XXP-1-X-W01                                 |                          |
| DRW. M.C.N | DATE: 2022.08.31 | DARWING TYPE: Customer Drawing                        |                          |
| PROJECTION |                  | UNITS: mm   | SCALE: 3:1 SHEET/OF: 1/1 |
|            |                  | 昆山艾尼维尔电子有限公司<br>KUN SHAN AINEWELL ELECTRONICS CO.,LTD |                          |