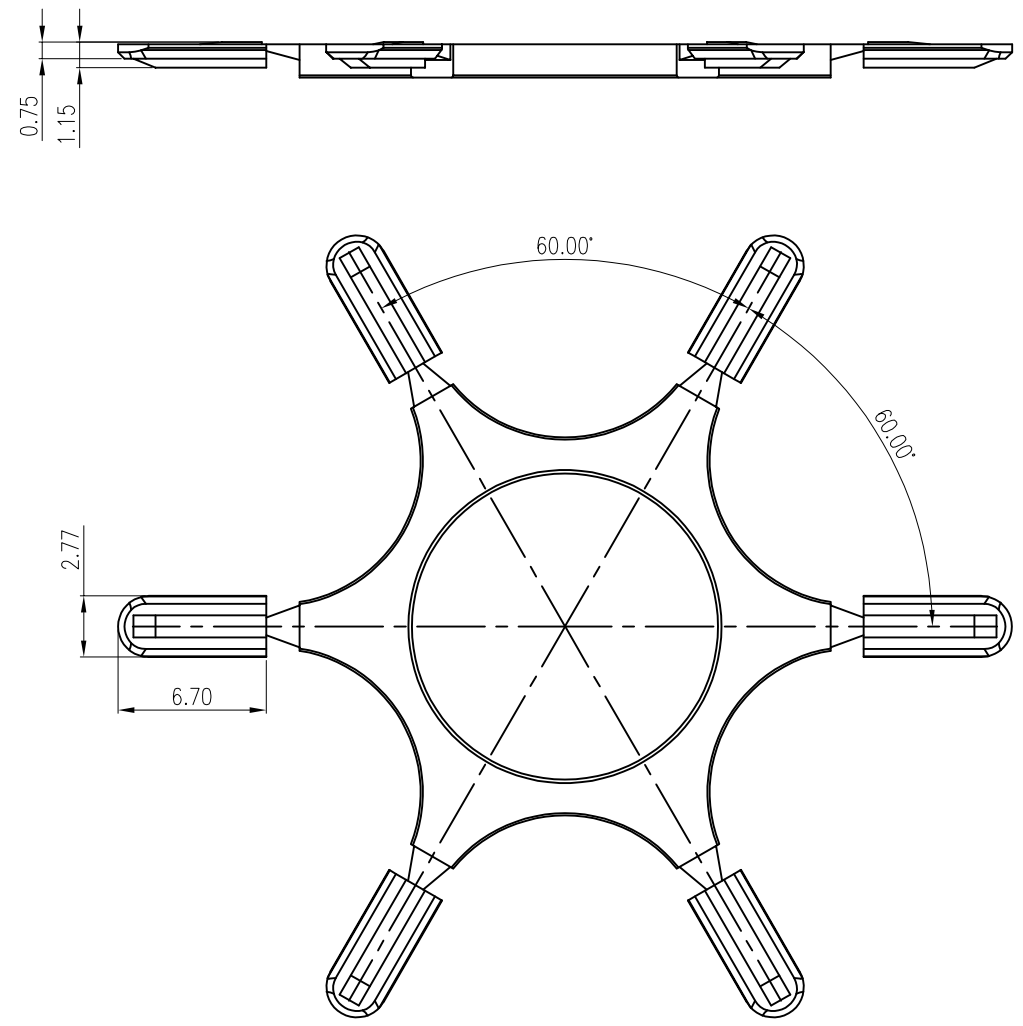


REV	DESCRIPTION	DRW.	DATE
00	初版发行	M.C.N	2022.07.06



技术要求:
 1. 材料1:PA66-RNG00 (UL:E171666)
 材料2:A3 RV0 (UL:E331274)
 2. 符合 RoHS

		Nominal dimension Tolerances (mm)						
		over 18 to 30	over 30 to 50	over 50 to 80	over 80 to 120	over 120 to 180	over 180 to 250	over 250 to 320
0 to 18		±0.25	±0.3	±0.35	±0.5	±0.7	±0.9	±1.0
		±0.3	±0.5	±0.7	±0.9	±1.0	±1.2	

APP.	DATE:	PART NO: NFK-001	
CHK.	DATE:		
DRW. M.C.M	DATE: 2022.07.06	DARWING TYPE: Customer Drawing	
PROJECTION		UNITS: mm	SCALE: 4:1 SHEET/OF: 1/1
AINEWELL		昆山艾尼维尔电子有限公司 KUN SHAN AINEWELL ELECTRONICS CO.,LTD	