

REV	DESCRIPTION	DRW.	DATE
00	初版发行	C.W	2022.12.21

Notes/备注:

1. Electrical properties/电气特性
UL Standard/UL标准

Use Group/应用组别	B	C	D
Rated Voltage/额定电压 (V)	300	150	300
Rated Current/额定电流 (A)	41	41	10
Withstanding voltage/工频耐电压	AC 1600V/1Min		

IEC Standard/IEC标准

Rated Voltage/额定电压 (V): 630
Rated Current/额定电流 (A): 41

Overvoltage Category/过电压类别 /Pollution Degree/污染等级	II/2	III/2	III/3
Voltage/电压 (V)	1000	630	630
Rated Impulse Voltage/冲击耐电压 (KV)	6	6	6

2. Environmental safety/环境安全

Operating temperature/工作温度范围 (°C): -40~+105
RoHS compliant/符合RoHS环保要求

Part No./料号说明:

F8HHEVM-7.62-XXP-X

Poles/P数

- 02: 2Poles
- 03: 3Poles
- ...
- 12: 12Poles

Color/颜色

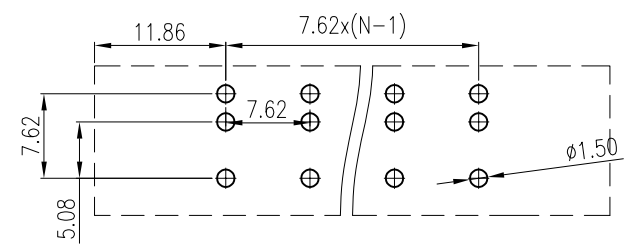
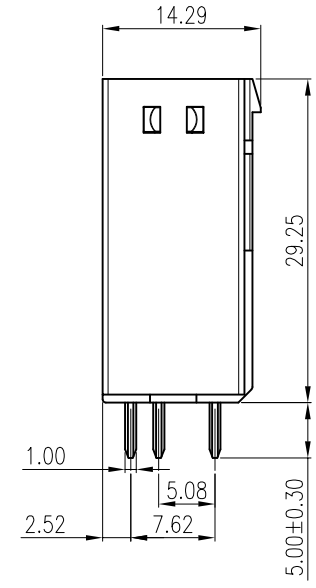
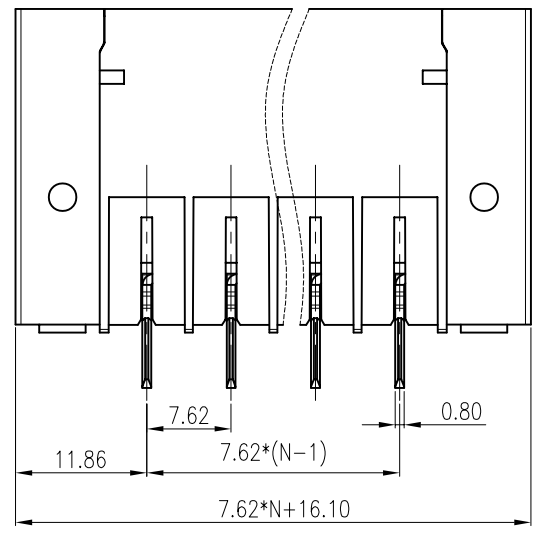
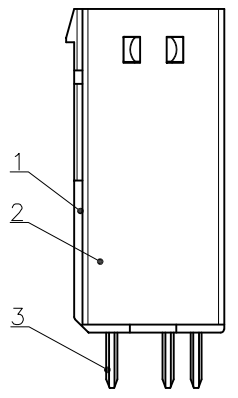
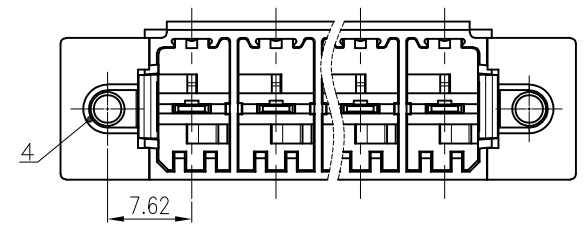
- 1: Brown/棕色
- 2: Red/红色
- 3: Orange/橙色
- 4: Yellow/黄色
- 5: Green/绿色
- 6: Blue/蓝色
- 7: Purple/紫色
- 8: Grey/灰色
- 9: White/白色
- A: Black/黑色

4	NUT 螺母	Steel	M3/Zn Plated
3	SOLDER PIN 端子	Copper Alloy	Sn Plated
2	HOUSING 主体2	PA66-GF	UL94 V-0
1	HOUSING 主体1	PA66-GF	UL94 V-0
ITEM	NAME OF PART	MATERIAL	NOTES

APP.	DATE:	PART NO: F8HHEVM-7.62-XXP-X
CHK.	DATE:	
DRW. C.W	DATE: 2022.12.21	DARWING TYPE: Customer Drawing
PROJECTION		UNITS: mm SCALE: 2:1 SHEET/OF: 1/1



昆山艾尼维尔电子有限公司
KUN SHAN AINEWELL ELECTRONICS CO.,LTD



PCB LAYOUT

Nominal dimension Tolerances (mm)							
0	over 18	over 30	over 50	over 80	over 120	over 180	over 250
to 18	to 30	to 50	to 80	to 120	to 180	to 250	to 320
±0.25	±0.3	±0.35	±0.5	±0.7	±0.9	±1.0	±1.2