

REV	DESCRIPTION	DRW.	DATE
00	初版发行	C.W	2023.10.12

Notes/备注:

1. Electrical properties/电气特性  
UL Standard/UL 标准

Use Group/应用组别	B	C	D
Rated Voltage/额定电压 (V)	300	300	600
Rated Current/额定电流 (A)	52	52	5
Withstanding voltage/工频耐电压	AC 2200V/1Min		

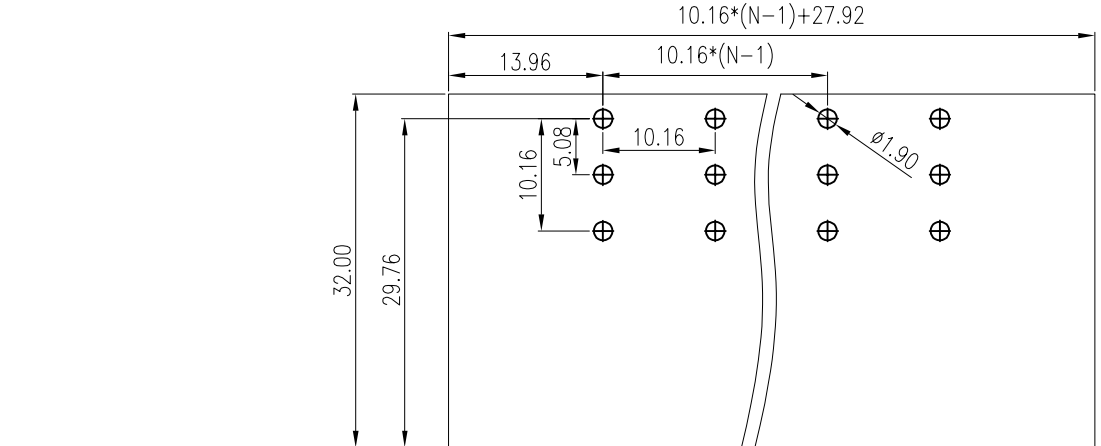
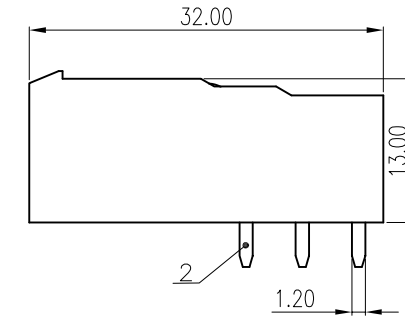
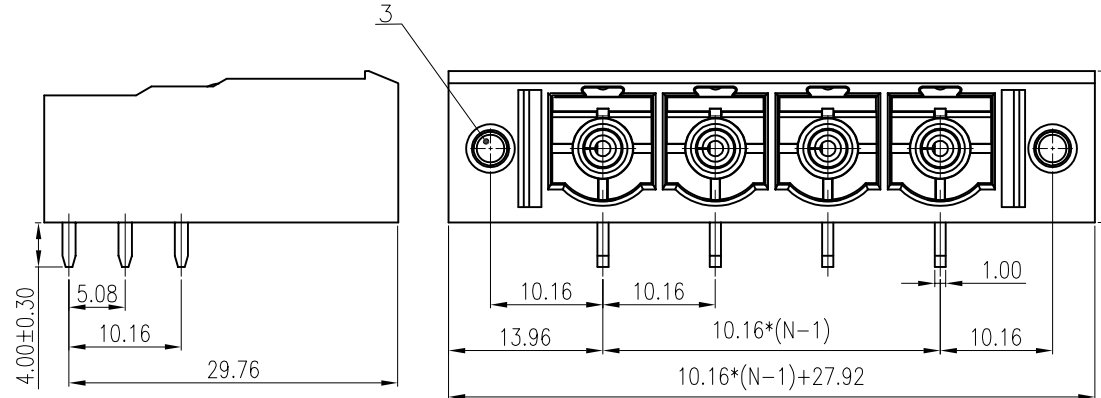
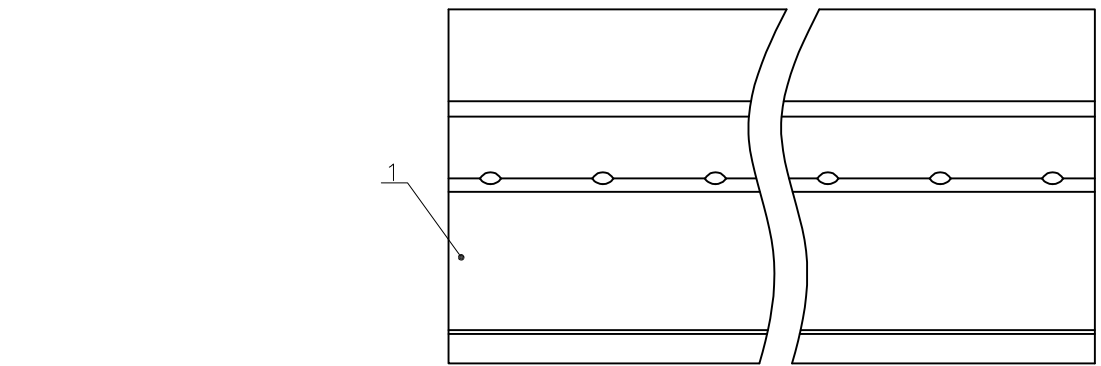
IEC Standard/IEC 标准

Rated Voltage/额定电压 (V): 1000  
Rated Current/额定电流 (A): 76

Overvoltage Category/过电压类别 /Pollution Degree/污染等级	II/2	III/2	III/3
Voltage/电压 (V)	1000	1000	630
Rated Impulse Voltage/冲击耐电压(KV)	8	8	8

2. Environmental safety/环境安全

Operating temperature/工作温度范围(°C): -40~+105  
RoHS compliant/符合RoHS环保要求



PCB LAYOUT

Part No./料号说明:

F8HHERM-10.16-XXP-X

Poles/P数	Color/颜色
02: 2Poles	1: Brown/棕色 6: Blue/蓝色
03: 3Poles	2: Red/红色 7: Purple/紫色
...	3: Orange/橙色 8: Grey/灰色
10: 10Poles	4: Yellow/黄色 9: White/白色
	5: Green/绿色 A: Black/黑色

3	NUT 螺母 steel	M3/Zn Plated	
2	SOLDER 焊锡端子 Alloy	Sn Plated	
1	HOUSING 壳体 CF	UL94 V-0	
ITEM	NAME OF PART	MATERIAL	NOTES

Nominal dimension Tolerances (mm)							
0	over 18	over 30	over 50	over 80	over 120	over 180	over 250
to 18	to 30	to 50	to 80	to 120	to 180	to 250	to 320
	±0.25	±0.3	±0.35	±0.5	±0.7	±0.9	±1.0

APP.	DATE:	PART NO: <b>F8HHERM-10.16-XXP-X</b>
CHK.	DATE:	
DRW. C.W	DATE: 2023.10.12	DARWING TYPE: Customer Drawing
PROJECTION		UNITS: mm
		SCALE: 2:1
		SHEET/OF: 1/1
<b>AINEWELL</b>		昆山艾尼维尔电子有限公司 KUN SHAN AINEWELL ELECTRONICS CO.,LTD