

REV	DESCRIPTION	DRW.	DATE
00	初版发行	C.W	2022.12.21

Notes/备注:

1. Electrical properties/电气特性

UL Standard/UL标准	Use Group/应用组别	B	C	D
	Rated Voltage/额定电压 (V)	600	600	600
	Rated Current/额定电流 (A)	41	41	5
	Withstanding voltage/工频耐受电压	AC 2500V/1min		

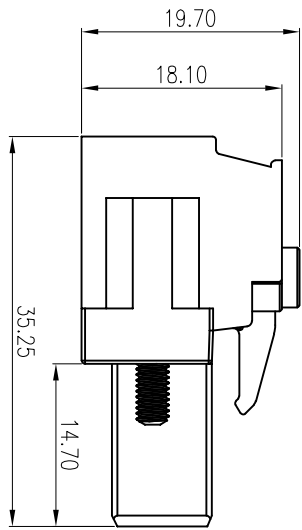
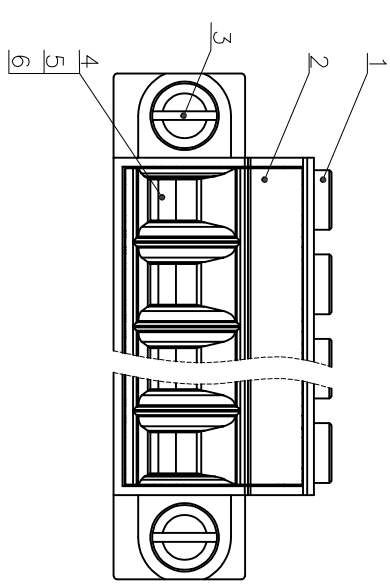
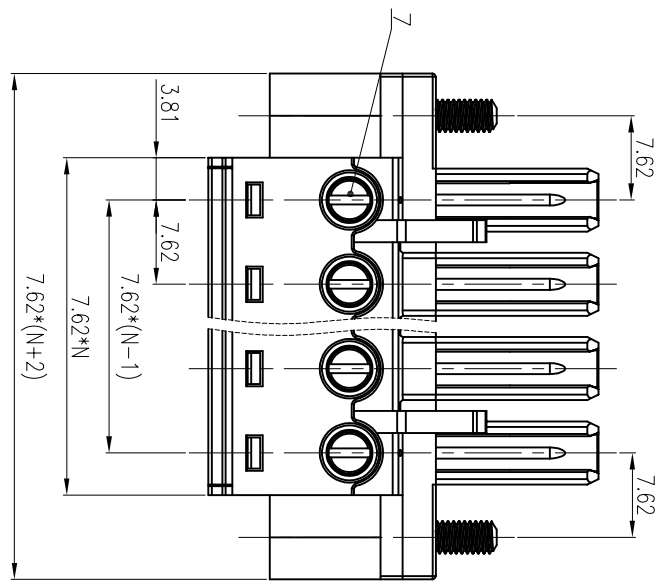
IEC Standard/IEC标准

Rated Voltage/额定电压 (V): 1000
 Rated Current/额定电流 (A): 41

Overvoltage Category/过电压类别 /Pollution Degree/污染等级	Voltage/电压 (V)	11/2	111/2	111/3
	Rated Impulse Voltage/冲击耐受电压 (kV)	6	8	8

2. Connection data/连接数据

Wire range/线径范围 (AWG/mm²): 24~8/0.2~6
 Stripping length/剥线长度 (mm): 10
 Wire tightening torque/导线扭矩 (N.m): 0.5~0.8
 Flange tightening torque/法兰扭矩 (N.m): 0.3
 3. Environmental safety/环境安全
 Operating temperature/工作温度范围 (°C): -40~+105
 RoHS compliant/符合RoHS环保要求



Part No./料号说明:

F6AKHM-7.62-XXP-1-X

Nominal dimension Tolerances (mm)

0 to 18	18 to 30	30 to 50	50 to 80	80 to 120	120 to 180	180 to 250	250 to 320
±0.25	±0.3	±0.35	±0.5	±0.7	±0.9	±1.0	±1.2

Poles/1数

02: 2Poles
 03: 3Poles
 ...
 12: 12Poles

Color/颜色

1: Brown/棕色
 2: Red/红色
 3: Orange/橙色
 4: Yellow/黄色
 5: Green/绿色
 6: Blue/蓝色
 7: Purple/紫色
 8: Grey/灰色
 9: White/白色
 A: Black/黑色

APP.	DATE:	PART NO.:
CHK	DATE:	F6AKHM-7.62-XXP-1-X
DRW. C.W	DATE: 2022.12.21	
PROJECTION	DRAWING TYPE: Customer Drawing	
	UNITS: mm	
	SCALE: 2:1	
	SHEET/OF: 1/1	

ITEM	NAME OF PART	MATERIAL	NOTES
7	SCREW 螺丝	Steel	M3/Zn Plated
6	SPRING 弹片	STAINLESS STEEL	/
5	CAGE 方块	Copper Alloy	M3/Ni Plated
4	CLAMP 夹片	Copper Alloy	Sn Plated
3	SCREW 螺丝	Steel	M3/Zn Plated
2	COVER 盖板	PA66	UL94 V-0
1	HOUSING 主体	PA66	UL94 V-0

ANNEWELL 昆山艾尼威尔电子有限公司
 KUN SHAN ANNEWELL ELECTRONICS CO.,LTD