

REV	DESCRIPTION	DRW.	DATE
00	初版发行	C.W	2023.10.23

Notes/备注:

1. Electrical properties/电气特性
UL Standard/UL 标准

Use Group/应用组别	B	C	D
Rated Voltage/额定电压 (V)	600	600	600
Rated Current/额定电流 (A)	55	55	5
Withstanding voltage/工频耐电压	AC 2200V/1Min		

IEC Standard/IEC 标准

Rated Voltage/额定电压 (V): 1000
Rated Current/额定电流 (A): 76

Overvoltage Category/过电压类别 /Pollution Degree/污染等级	II/2	III/2	III/3
Voltage/电压 (V)	1000	1000	1000
Rated Impulse Voltage/冲击耐电压 (KV)	6	8	8

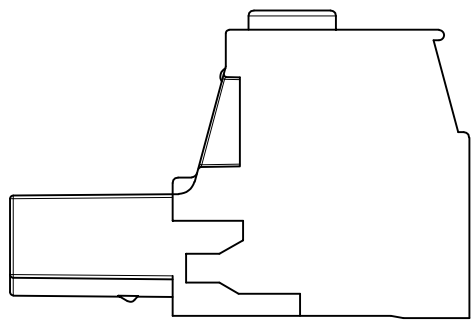
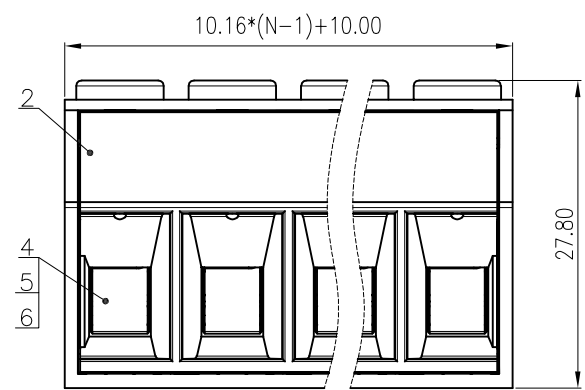
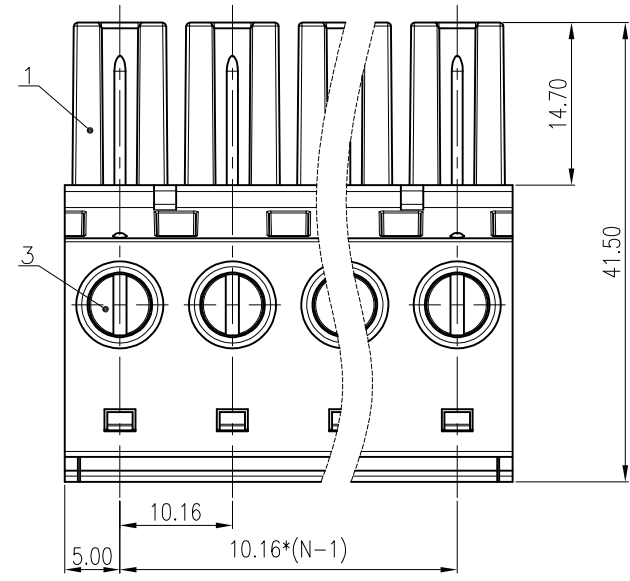
2. Connection data/连接数据

Wire range/线径范围 (AWG/mm²): 20~6/0.75~16
Stripping length/剥线长度 (mm): 12
Wire tightening torque/导线扭矩 (N.m): 1.7~1.8

3. Environmental safety/环境安全

Operating temperature/工作温度范围 (°C): -40~+105
RoHS compliant/符合RoHS环保要求

6	SPRING 弹片	STAINLESS STEEL	/
5	CAGE 方块	Copper Alloy	M4/Ni Plated
4	CLAMP 夹片	Copper Alloy	Ag Plated
3	SCREW 螺丝	Steel	M4/Zn Plated
2	COVER 盖板	PA66	UL94 V-0
1	HOUSING 主体	PA66	UL94 V-0
ITEM	NAME OF PART	MATERIAL	NOTES



Part No./料号说明:

F6AKH-10.16-XXP-1-X

Poles/P数

02: 2Poles

03: 3Poles

...

12: 12Poles

Color/颜色

1: Brown/棕色

2: Red/红色

3: Orange/橙色

4: Yellow/黄色

5: Green/绿色

6: Blue/蓝色

7: Purple/紫色

8: Grey/灰色

9: White/白色

A: Black/黑色

Nominal dimension		Tolerances (mm)					
0	over 18	over 30	over 50	over 80	over 120	over 180	over 250
to 18	to 30	to 50	to 80	to 120	to 180	to 250	to 320
	±0.25	±0.3	±0.35	±0.5	±0.7	±0.9	±1.0 ±1.2

APP.	DATE:	PART NO.: F6AKH-10.16-XXP-1-X	
CHK.	DATE:	DARWING TYPE: Customer Drawing	
DRW. C.W	DATE: 2023.10.23	UNITS: mm	SCALE: 2:1 SHEET/OF: 1/1
PROJECTION			
AINEWELL		昆山艾尼维尔电子有限公司 KUN SHAN AINEWELL ELECTRONICS CO.,LTD	