

REV	DESCRIPTION	DRW.	DATE
00	初版发行	C.W	2022.08.29

Notes/备注:

1. Electrical properties/电气特性

UL Standard/UL标准

Use Group/应用组别	B	C	D
Rated Voltage/额定电压 (V)	300	/	300
Rated Current/额定电流 (A)	15	/	10
Withstanding voltage/工频耐电压	AC 1600V/1Min		

IEC Standard/IEC标准

Rated Voltage/额定电压 (V): 630

Rated Current/额定电流 (A): 16

Overvoltage Category/过电压类别 /Pollution Degree/污染等级	II/2	III/2	III/3
Voltage/电压 (V)	1000	630	500
Rated Impulse Voltage/冲击耐电压(KV)	6	6	6

2. Connection data/连接数据

Wire range/线径范围(AWG/mm²): 28~12/0.2~2.5

Stripping length/剥线长度(mm): 6~7

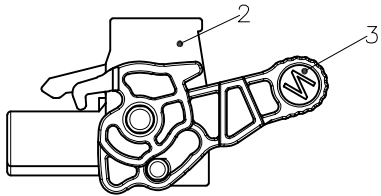
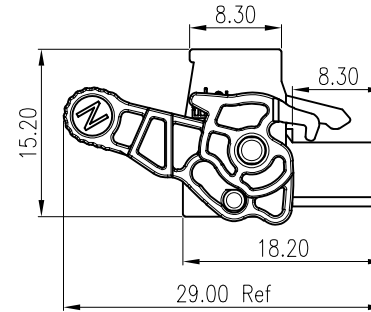
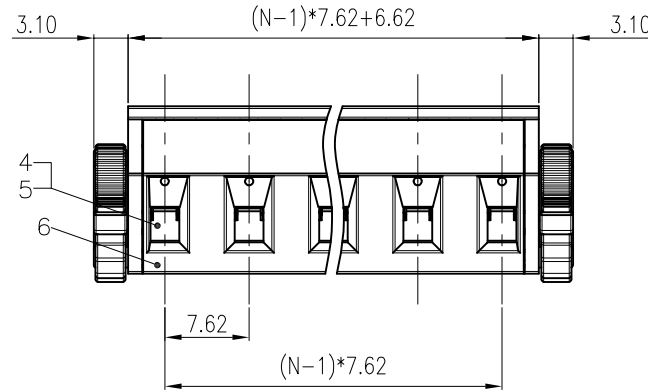
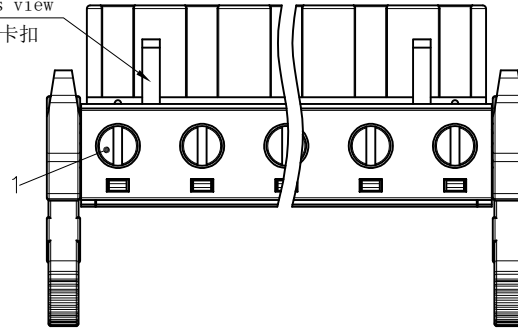
Wire tightening torque/锁线扭矩(N.m): 0.5~0.6

3. Environmental safety/环境安全

Operating temperature/工作温度范围(°C): -40~+105

RoHS compliant/符合RoHS环保要求

02P:Clasp is on the left from this view
02P时保留左侧卡扣



Part No./料号说明:

F6AT-7.62-XXP-1-X

Nominal dimension Tolerances (mm)							
	over 0 to 18	over 18 to 30	over 30 to 50	over 50 to 80	over 80 to 120	over 120 to 180	over 180 to 250
	±0.25	±0.3	±0.35	±0.5	±0.7	±0.9	±1.0
							±1.2

Poles/P数

02: 2Poles
03: 3Poles
...
24: 24Poles

Color/颜色

1: Brown/棕色 6: Blue/蓝色
2: Red/红色 7: Purple/紫色
3: Orange/橙色 8: Grey/灰色
4: Yellow/黄色 9: White/白色
5: Green/绿色 A: Black/黑色

ITEM	NAME OF PART	MATERIAL	NOTES
6	COVER 盖板	PA66	UL94 V-0
5	CLAMP 夹片	Phosphor bronze	Sn Plated
4	CAGE 方块	Brass	Ni Plated
3	KNOB 旋钮	PA66	UL94 V-0
2	HOUSING 主体	PA66	UL94 V-0
1	SCREW 螺丝	Steel	M3/Zn Plated

APP.	DATE:	PART NO:	
CHK.	DATE:	F6AT-7.62-XXP-1-X	
DRW. C.W	DATE: 2022.08.29	DARWING TYPE: Customer Drawing	
PROJECTION	UNITS: mm	SCALE: 2:1	SHEET/OF: 1/1
		昆山艾尼维尔电子有限公司 KUN SHAN AINEWELL ELECTRONICS CO.,LTD	