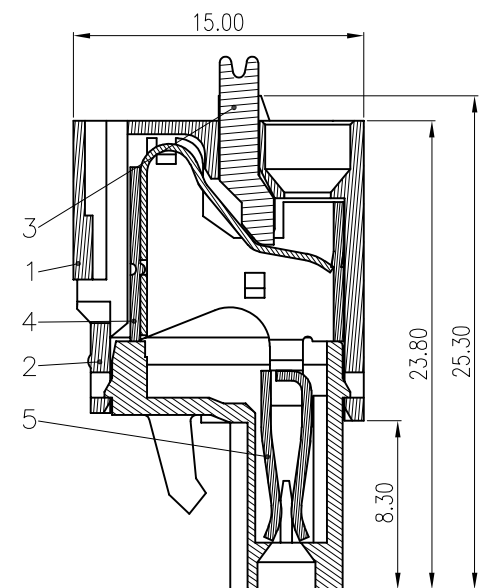
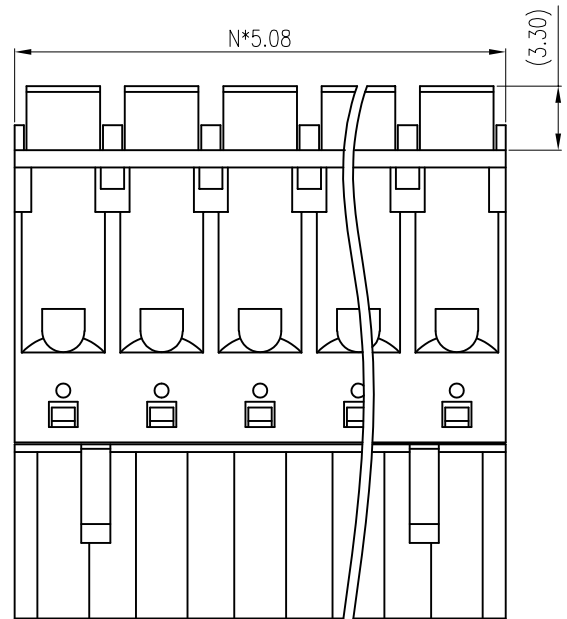
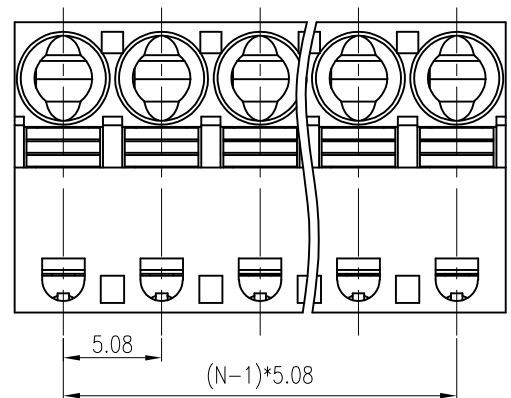


REV	DESCRIPTION	DRW.	DATE
00	初版发行	M.C.N	2022.06.14
01	变更按钮高度	M.C.N	2022.09.23



Notes/备注:

1. Electrical properties/电气特性
UL Standard/UL 标准

Use Group/应用组别	B	C	D
Rated Voltage/额定电压 (V)	300	/	300
Rated Current/额定电流 (A)	10	/	10
Withstanding voltage/工频耐电压	AC 1600V/1Min		

IEC Standard/IEC 标准

Rated Voltage/额定电压 (V): 320
Rated Current/额定电流 (A): 15

Overvoltage Category/过电压类别 /Pollution Degree/污染等级	II/2	III/2	III/3
Voltage/电压 (V)	630	320	250
Rated Impulse Voltage/冲击耐电压(KV)	4	4	4

2. Connection data/连接数据

Wire range/线径范围(AWG/mm²): 26~12/0.2~2.5
Stripping length/剥线长度(mm): 10

3. Environmental safety/环境安全

Operating temperature/工作温度范围(°C): -40~+105
RoHS compliant/符合RoHS环保要求

ITEM	NAME OF PART	MATERIAL	NOTES
5	CLAMP 夹片	Phosphor bronze	Sn Plated
4	SHRAPNEL 弹片	Steel	/
3	BUTTON 按钮	PA66	UL94 V-0
2	COVER 盖板	PA66	UL94 V-0
1	HOUSING 主体	PA66	UL94 V-0

Part No./料号说明:

F7DEP-5.08-XXP-X

Poles/P数
02: 2Poles
03: 3Poles
...
24: 24Poles

Color/颜色
1: Brown/棕色
2: Red/红色
3: Orange/橙色
4: Yellow/黄色
5: Green/绿色
6: Blue/蓝色
7: Purple/紫色
8: Grey/灰色
9: White/白色
A: Black/黑色

Nominal dimension		Tolerances (mm)						
0	over	over	over	over	over	over	over	
to	18	30	50	80	120	180	250	
to	30	50	80	120	180	250	320	
to	18	30	50	80	120	180	250	
	±0.25	±0.3	±0.35	±0.5	±0.7	±0.9	±1.0	
							±1.2	

APP.	DATE:	PART NO:	
CHK.	DATE:	F7DEP-5.08-XXP-X	
DRW. M.C.M	DATE: 2022.09.23	DARWING TYPE: Customer Drawing	
PROJECTION		UNITS: mm	SCALE: 3.5:1 SHEET/OF: 1/1
		昆山艾尼维尔电子有限公司 KUN SHAN AINEWELL ELECTRONICS CO.,LTD	