

| REV | DESCRIPTION | DRW. | DATE |
|-----|-------------|-------|------------|
| 00 | 初版发行 | M.C.N | 2022.06.06 |

Notes/备注:

1. Electrical properties/电气特性
UL Standard/UL 标准

| | | | |
|----------------------------|---------------|---|-----|
| Use Group/应用组别 | B | C | D |
| Rated Voltage/额定电压 (V) | 300 | / | 300 |
| Rated Current/额定电流 (A) | 15 | / | 10 |
| Withstanding voltage/工频耐电压 | AC 1600V/1Min | | |

IEC Standard/IEC 标准

Rated Voltage/额定电压 (V): 320
Rated Current/额定电流 (A): 16

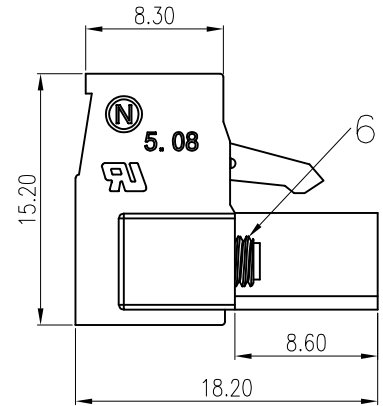
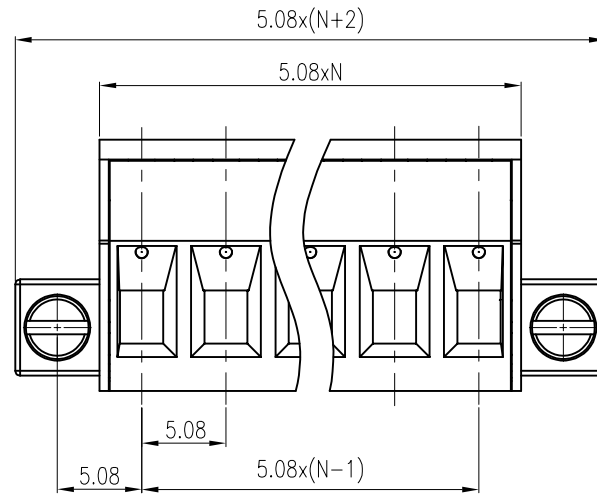
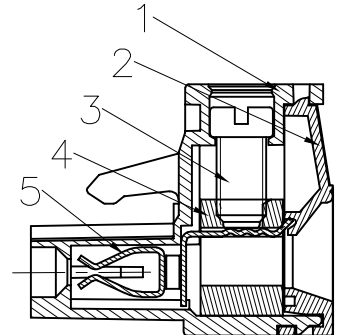
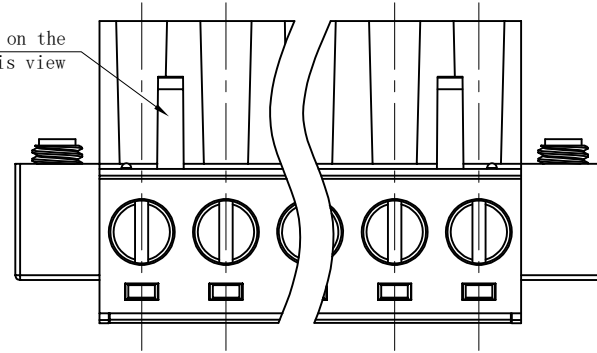
| | | | |
|--|------|-------|-------|
| Overvoltage Category/过电压类别 /Pollution Degree/污染等级 | II/2 | III/2 | III/3 |
| Voltage/电压 (V) | 630 | 320 | 250 |
| Rated Impulse Voltage/冲击耐电压(KV) | 4 | 4 | 4 |

2. Connection data/连接数据

Wire range/线径范围(AWG/mm²): 28~12/0.2~2.5
Stripping length/剥线长度(mm): 6~7
Wire tightening torque/锁线扭矩(N.m): 0.5~0.6
Flange tightening torque/法兰扭矩(N.m): 0.2

3. Environmental safety/环境安全

Operating temperature/工作温度范围(°C): -40~+105
RoHS compliant/符合RoHS环保要求



| 6 | SCREW 螺丝 | Steel | M2.5/Zn Plated |
|------|--------------|-----------------|----------------|
| 5 | CLAMP 夹片 | Phosphor bronze | Sn Plated |
| 4 | CAGE 方块 | Brass | Ni Plated |
| 3 | SCREW 螺丝 | Steel | M3/Zn Plated |
| 2 | COVER 盖板 | PA66 | UL94 V-0 |
| 1 | HOUSING 主体 | PA66 | UL94 V-0 |
| ITEM | NAME OF PART | MATERIAL | NOTES |

Part No./料号说明:

F6AM-5.08-XXP-1-X

Poles/P数
02: 2Poles
03: 3Poles
...
24: 24Poles

Color/颜色
1: Brown/棕色
2: Red/红色
3: Orange/橙色
4: Yellow/黄色
5: Green/绿色
6: Blue/蓝色
7: Purple/紫色
8: Grey/灰色
9: White/白色
A: Black/黑色

| Nominal dimension Tolerances (mm) | | | | | | | |
|-----------------------------------|---------|---------|---------|---------|----------|----------|----------|
| | over 18 | over 30 | over 50 | over 80 | over 120 | over 180 | over 250 |
| 0 to 18 | ±0.3 | ±0.35 | ±0.5 | ±0.7 | ±0.9 | ±1.0 | ±1.2 |

| | | | |
|------------|------------------|---|--------------------------|
| APP. | DATE: | PART NO.: F6AM-5.08-XXP-1-X | |
| CHK. | DATE: | | |
| DRW. M.C.M | DATE: 2022.06.06 | DARWING TYPE: Customer Drawing | |
| PROJECTION | | UNITS: mm | SCALE: 3:1 SHEET/OF: 1/1 |
| | | 昆山艾尼维尔电子有限公司 KUN SHAN AINEWELL ELECTRONICS CO.,LTD | |