

REV	DESCRIPTION	DRW.	DATE
00	初版发行	M.C.N	2022.06.13

Notes/备注:

1. Electrical properties/电气特性

UL Standard/UL 标准

Use Group/应用组别	B	C	D
Rated Voltage/额定电压 (V)	300	/	300
Rated Current/额定电流 (A)	15	/	10
Withstanding voltage/工频耐电压	AC 1600V/1Min		

IEC Standard/IEC 标准

Rated Voltage/额定电压 (V): 630
Rated Current/额定电流 (A): 16

Overvoltage Category/过电压类别 /Pollution Degree/污染等级	II/2	III/2	III/3
Voltage/电压 (V)	1000	630	500
Rated Impulse Voltage/冲击耐电压(KV)	6	6	6

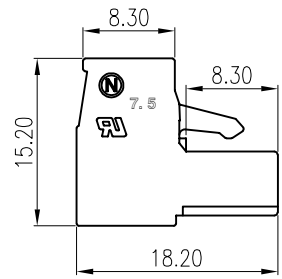
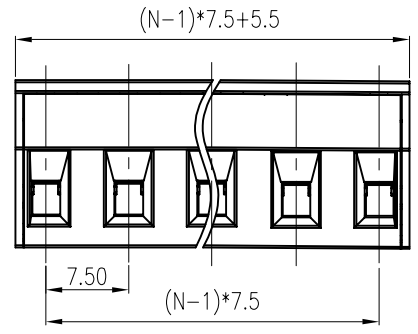
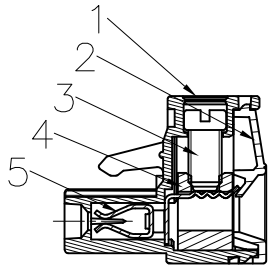
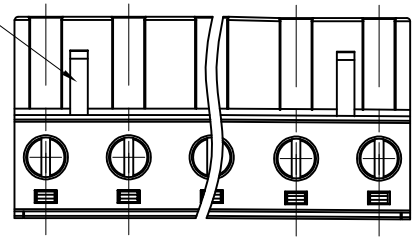
2. Connection data/连接数据

Wire range/线径范围(AWG/mm²): 28~12/0.2~2.5
Stripping length/剥线长度(mm): 6~7
Wire tightening torque/锁线扭矩(N.m): 0.5~0.6

3. Environmental safety/环境安全

Operating temperature/工作温度范围(°C): -40~+105
RoHS compliant/符合RoHS环保要求

02P:Clasp is on the left from this view



5	CLAMP 夹片	Phosphor bronze	Sn Plated
4	CAGE 方块	Brass	Ni Plated
3	SCREW 螺丝	Steel	M3/Zn Plated
2	COVER 盖板	PA66	UL94 V-0
1	HOUSING 主体	PA66	UL94 V-0
ITEM	NAME OF PART	MATERIAL	NOTES

Part No./料号说明:

F6A-7.5-XXP-1-X

Poles/P数
02: 2Poles
03: 3Poles
...
24: 24Poles

Color/颜色
1: Brown/棕色
2: Red/红色
3: Orange/橙色
4: Yellow/黄色
5: Green/绿色
6: Blue/蓝色
7: Purple/紫色
8: Grey/灰色
9: White/白色
A: Black/黑色

		Nominal dimension Tolerances (mm)							
		over 18 to 30	over 30 to 50	over 50 to 80	over 80 to 120	over 120 to 180	over 180 to 250	over 250 to 320	
F		±0.25	±0.3	±0.35	±0.5	±0.7	±0.9	±1.0	±1.2

APP.	DATE:	PART NO.: F6A-7.5-XXP-1-X	
CHK.	DATE:		
DRW. M.C.M	DATE: 2022.06.13	DARWING TYPE: Customer Drawing	
PROJECTION		UNITS: mm	SCALE: 2:1 SHEET/OF: 1/1
AINEWELL		昆山艾尼维尔电子有限公司 KUN SHAN AINWELL ELECTRONICS CO.,LTD	