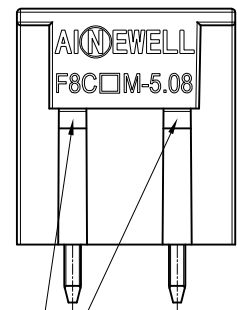
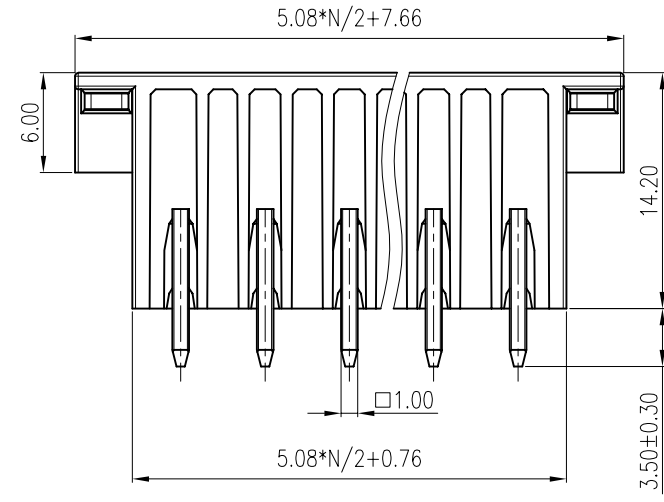
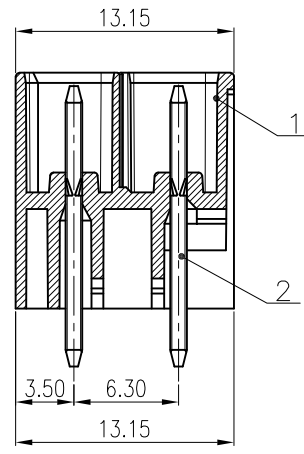
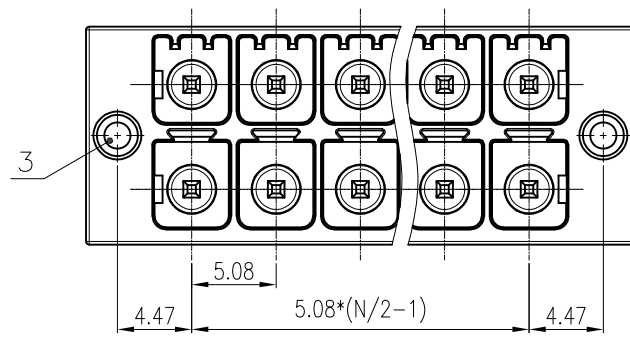
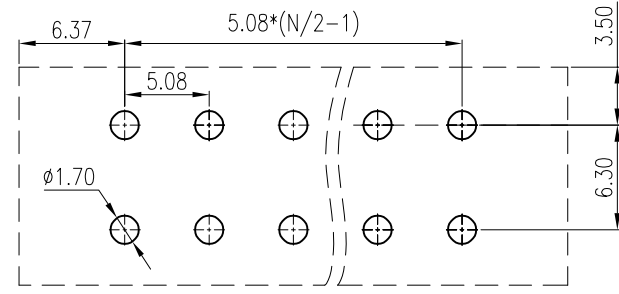


REV	DESCRIPTION	DRW.	DATE
00	初版发行	C.W	2024.01.07



04~12P: 带卡槽/04P to 12P with card slot
 14P~48P: 不带卡槽/14P to 48P without card slot



PCB LAYOUT

Part No./料号说明:
F8CVM-5.08-XXP-X

- Poles/P数 Color/颜色
- 04: 4Poles 1: Brown/棕色 6: Blue/蓝色
 - 06: 6Poles 2: Red/红色 7: Purple/紫色
 - ... 3: Orange/橙色 8: Grey/灰色
 - 48: 48Poles 4: Yellow/黄色 9: White/白色
 - 5: Green/绿色 A: Black/黑色

Notes/备注:

1. Electrical properties/电气特性
 UL Standard/UL标准

Use Group/应用组别	B	C	D
Rated Voltage/额定电压 (V)	300	/	300
Rated Current/额定电流 (A)	10	/	10
Withstanding voltage/工频耐电压	AC 1600V/1Min		

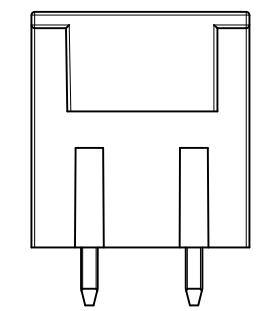
IEC Standard/IEC标准

Rated Voltage/额定电压 (V): 630
 Rated Current/额定电流 (A): 12

Overvoltage Category/过电压类别 / Pollution Degree/污染等级	II/2	III/2	III/3
Voltage/电压 (V)	630	320	320
Rated Impulse Voltage/冲击耐电压 (KV)	4	4	4

2. Environmental safety/环境安全

Operating temperature/工作温度范围(°C): -40~+105
 RoHS compliant/符合RoHS环保要求



不带卡槽/without card slot

		Nominal dimension Tolerances (mm)						
		over 18	over 30	over 50	over 80	over 120	over 180	over 250
		to 30	to 50	to 80	to 120	to 180	to 250	to 320
		±0.25	±0.3	±0.35	±0.5	±0.7	±0.9	±1.2

3	Nut 螺母	Steel	M2/Zn Plated
2	Pin Header 焊针	Copper Alloy	Sn Plated
1	Housing 主体	PA66	UL94 V-0
ITEM	NAME OF PART	MATERIAL	NOTES

APP. M.X.B	DATE: 2024.01.07	PART NO.: F8CVM-5.08-XXP-X	
CHK. M.C.N	DATE: 2024.01.07		
DRW. C.W	DATE: 2024.01.07	DARWING TYPE: Customer Drawing	
PROJECTION		UNITS: mm	SCALE: 3:1 SHEET/OF: 1/1
AINWELL		昆山艾尼维尔电子有限公司 KUN SHAN AINWELL ELECTRONICS CO.,LTD	