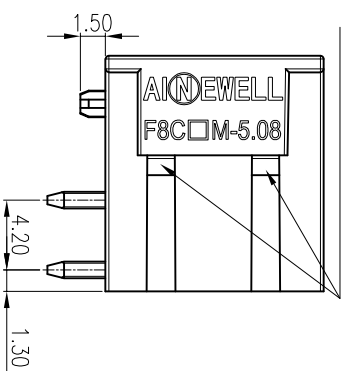


REV	DESCRIPTION	DRW.	DATE
00	初版发行	C.W	2024.01.07

04~12P: 带卡槽/04P to 12P
with card slot
14P~48P: 不带卡槽/14P to 48P
without card slot



Notes/备注:

1. Electrical properties/电气特性

UL Standard/UL 标准	Use Group/应用组别	B	C	D
Rated Voltage/额定电压 (V)	300	/	300	
Rated Current/额定电流 (A)	10	/	10	
Withstanding voltage/工频耐受电压	AC 1600V/1min			

IEC Standard/IEC 标准
Rated Voltage/额定电压 (V): 630
Rated Current/额定电流 (A): 12

Overvoltage Category/过电压类别 /Pollution Degree/污染等级	11/2	11I/2	11II/3
Voltage/电压 (V)	630	320	320
Rated Impulse Voltage/冲击耐受电压 (kV)	4	4	4

2. Environmental safety/环境安全
Operating temperature/工作温度范围(°C): -40~+105
RoHS compliant/符合RoHS环保要求

Part No./料号说明:
F8CRM-5.08-XXP-X

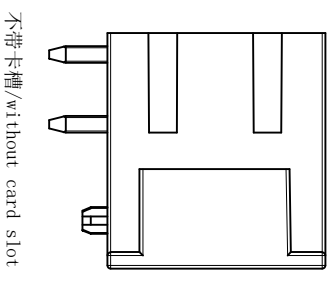
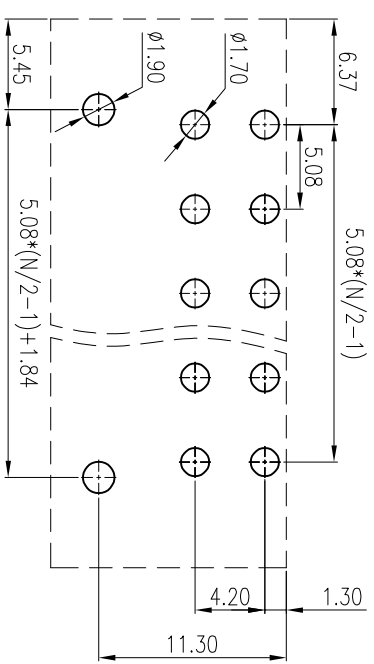
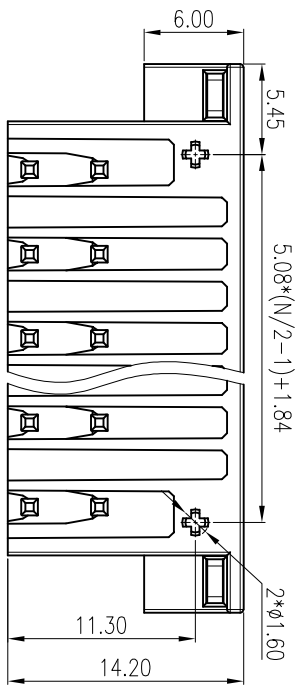
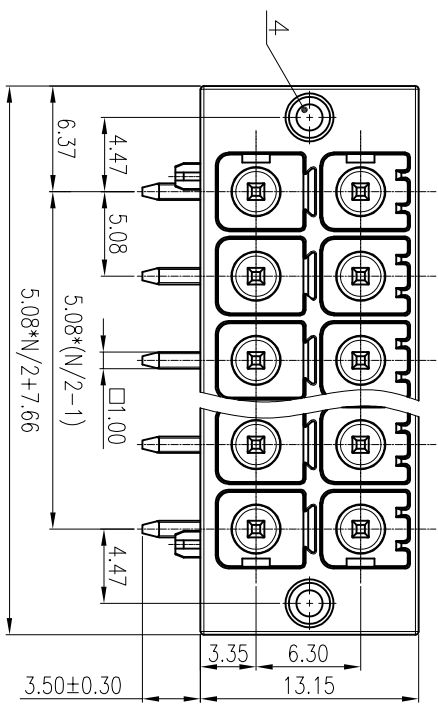
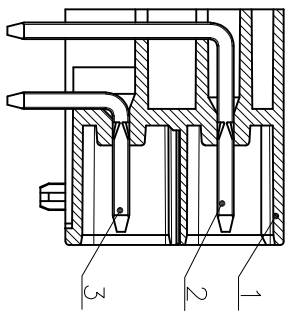
Poles/ 极数	Color/颜色
04: 4Poles	1: Brown/棕色
06: 6Poles	2: Red/红色
...	3: Orange/橙色
48: 48Poles	4: Yellow/黄色
	5: Green/绿色
	6: Blue/蓝色
	7: Purple/紫色
	8: Grey/灰色
	9: White/白色
	A: Black/黑色

ITEM	NAME OF PART	MATERIAL	NOTES
4	Nut 螺母	Steel	M2/Zn Plated
3	Pin Header 2 焊针2	Copper Alloy	Sn Plated
2	Pin Header 1 焊针1	Copper Alloy	Sn Plated
1	Housing 主体	PA66	UL94 V-0

PART NO.: F8CRM-5.08-XXP-X

APP. M.X.B	DATE: 2024.01.07	DRAWING TYPE: Customer Drawing
CHK. M.C.N	DATE: 2024.01.07	UNITS: mm
DRW. C.W	DATE: 2024.01.07	SCALE: 3:1
PROJECTION		SHEET/OF: 1/1

AINEWELL 昆山艾尼维尔电子有限公司
KUN SHAN AINEWELL ELECTRONICS CO.,LTD



Nominal dimension Tolerances (mm)

0 to 18	18 to 30	30 to 50	50 to 80	80 to 120	120 to 180	180 to 250	250 to 320
±0.25	±0.3	±0.35	±0.5	±0.7	±0.9	±1.0	±1.2