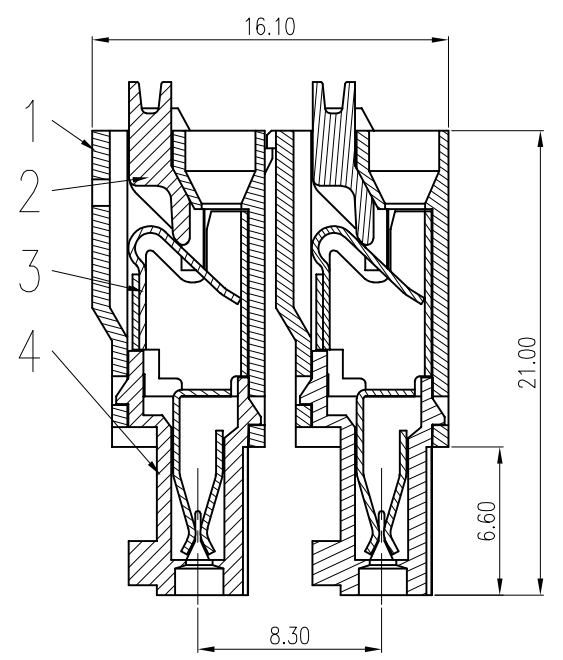
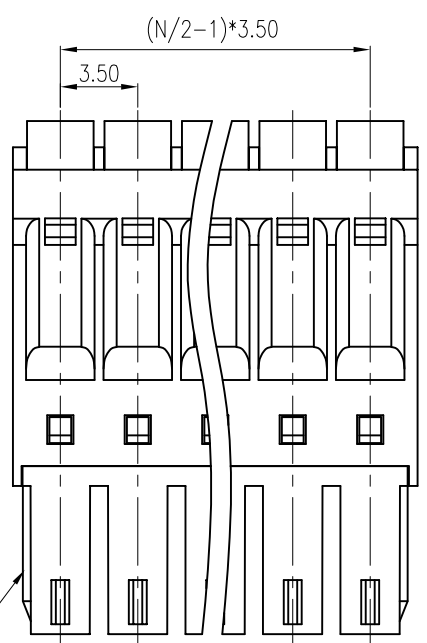
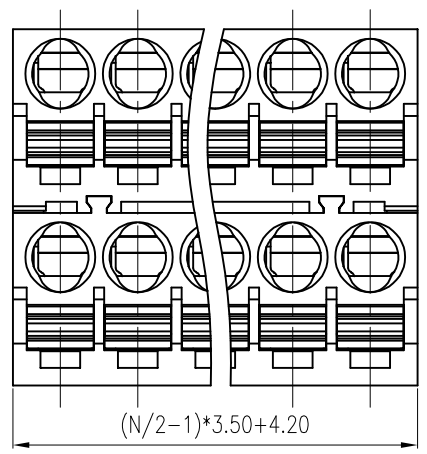


REV	DESCRIPTION	DRW.	DATE
00	初版发行	M.C.N	2022.07.07



Notes/备注:

1. Electrical properties/电气特性
UL Standard/UL标准

Use Group/应用组别	B	C	D
Rated Voltage/额定电压 (V)	300	/	300
Rated Current/额定电流 (A)	8	/	8
Withstanding voltage/工频耐电压	AC 1600V/1Min		

IEC Standard/IEC标准

Rated Voltage/额定电压 (V): 320
Rated Current/额定电流 (A): 10

Overvoltage Category/过电压类别 /Pollution Degree/污染等级	II/2	III/2	III/3
Voltage/电压 (V)	320	160	160
Rated Impulse Voltage/冲击耐电压 (KV)	2.5	2.5	2.5

2. Connection data/连接数据

Wire range/线径范围(AWG/mm²): 24~16/0.2~1.5
Stripping length/剥线长度(mm): 9~10

3. Environmental safety/环境安全

Operating temperature/工作温度范围(°C): -40~+105
RoHS compliant/符合RoHS环保要求

04~12P:带卡点/04P to 12P with wedge
14P~48P: 不带卡点/Above 14P without wedge

Part No./料号说明:
F7EMH-3.5-XXP-X

Nominal dimension		Tolerances (mm)						
0	over	over	over	over	over	over	over	
to	18	30	50	80	120	180	250	
18	to	to	to	to	to	to	to	
	30	50	80	120	180	250	320	
	±0.25	±0.3	±0.35	±0.5	±0.7	±0.9	±1.0	
							±1.2	

Poles/P数	Color/颜色
04: 4Poles	1: Brown/棕色
05: 5Poles	2: Red/红色
...	3: Orange/橙色
48: 48Poles	4: Yellow/黄色
	5: Green/绿色
	6: Blue/蓝色
	7: Purple/紫色
	8: Grey/灰色
	9: White/白色
	A: Black/黑色

4	COVER 盖板	PA66	UL94 V-0
3	CLAMP 夹片	Copper Alloy	Sn Plated
2	BUTTON 按钮	POM	
1	HOUSING 主体	PA66	UL94 V-0
ITEM	NAME OF PART	MATERIAL	NOTES

APP.	DATE:	PART NO: F7EMH-3.5-XXP-X
CHK.	DATE:	
DRW. M.C.N	DATE: 2022.07.07	DARWING TYPE: Customer Drawing
PROJECTION		UNITS: mm
		SCALE: 4:1
		SHEET/OF: 1/1
AINEWELL		昆山艾尼维尔电子有限公司 KUN SHAN AINEWELL ELECTRONICS CO.,LTD