

REV	DESCRIPTION	DRW.	DATE
00	初版发行	M.C.N	2022.09.30

Notes/备注:

1. Electrical properties/电气特性  
UL Standard/UL 标准

Use Group/应用组别	B	C	D
Rated Voltage/额定电压 (V)	300	/	300
Rated Current/额定电流 (A)	8	/	8
Withstanding voltage/工频耐电压	AC 1600V/1Min		

IEC Standard/IEC 标准

Rated Voltage/额定电压 (V): 320  
Rated Current/额定电流 (A): 10

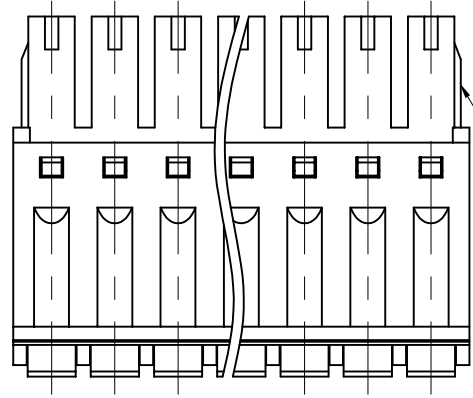
Overvoltage Category/过电压类别 /Pollution Degree/污染等级	II/2	III/2	III/3
Voltage/电压 (V)	320	160	160
Rated Impulse Voltage/冲击耐电压(KV)	2.5	2.5	2.5

2. Connection data/连接数据

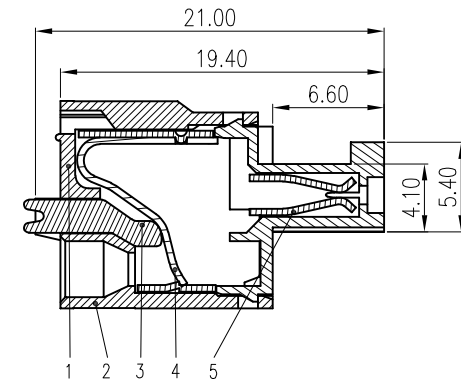
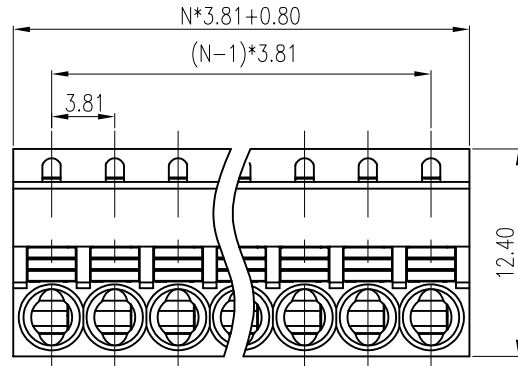
Wire range/线径范围(AWG/mm<sup>2</sup>): 28~16/0.2~1.5  
Stripping length/剥线长度(mm): 9~10

3. Environmental safety/环境安全

Operating temperature/工作温度范围(°C): -40~+105  
RoHS compliant/符合RoHS环保要求



02~06P:带卡点/02P to 06P with wedge  
07P~24P: 不带卡点/Above 07P without wedge



Part No./料号说明:

F7D-3.81-XXP-X

Poles/P数

02: 2Poles  
03: 3Poles  
...  
24: 24Poles

Color/颜色

1: Brown/棕色 6: Blue/蓝色  
2: Red/红色 7: Purple/紫色  
3: Orange/橙色 8: Grey/灰色  
4: Yellow/黄色 9: White/白色  
5: Green/绿色 A: Black/黑色

5	CLAMP 夹片	Copper Alloy	Sn Plated
4	SHRAPNEL 弹片	Steel	/
3	BUTTON 按钮	PA66	UL94 V-0
2	COVER 盖板	PA66	UL94 V-0
1	HOUSING 主体	PA66	UL94 V-0
ITEM	NAME OF PART	MATERIAL	NOTES

		Nominal dimension Tolerances (mm)						
		over 18 to 18	over 30 to 30	over 50 to 50	over 80 to 80	over 120 to 120	over 180 to 180	over 250 to 250
F		±0.25	±0.3	±0.35	±0.5	±0.7	±0.9	±1.0

APP.	DATE:	PART NO:	
CHK.	DATE:	F7D-3.81-XXP-X	
DRW. M.C.M	DATE: 2022.09.30	DARWING TYPE: Customer Drawing	
PROJECTION		UNITS: mm	SCALE: 3:1 SHEET/OF: 1/1
		昆山艾尼维尔电子有限公司 KUN SHAN AINEWELL ELECTRONICS CO.,LTD	