

REV	DESCRIPTION	DRW.	DATE
00	初版发行	T.P.W	2023.10.25

Notes /备注:

1. Electrical properties /电气特性
UL Standard/UL标准

Use Group /应用组别	B	C	D
Rated Voltage /额定电压 (V)	300	/	300
Rated Current /额定电流 (A)	8	/	8
Withstanding voltage /工频耐电压	AC 1600V/1min		

IEC Standard/IEC标准

Rated Voltage /额定电压 (V): 320
Rated Current /额定电流 (A): 10

Overvoltage Category /过电压类别 /Pollution Degree /污染等级	II/2	III/2	III/3
Voltage /电压 (V)	320	160	160
Rated Impulse Voltage /冲击耐电压(kV)	2.5	2.5	2.5

3. Environmental safety /环境安全
Operating temperature /工作温度范围 (°C): -40~+105
RoHS compliant /符合RoHS环保要求

Part No./料号说明:
F8HVM-3.5-XXP-SCX

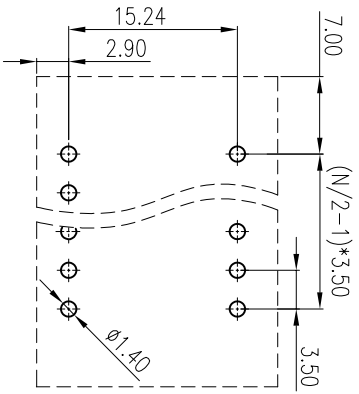
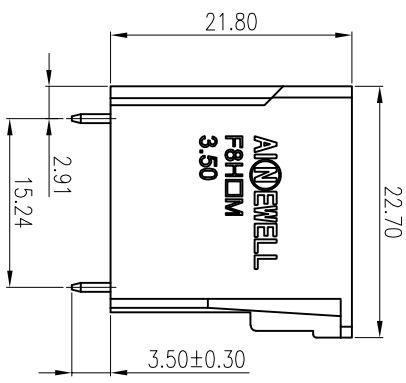
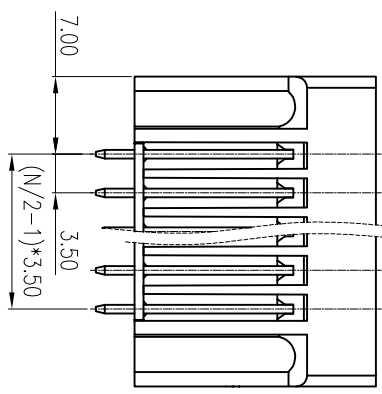
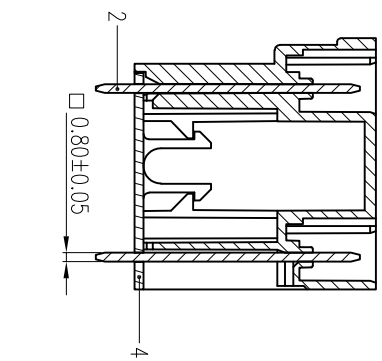
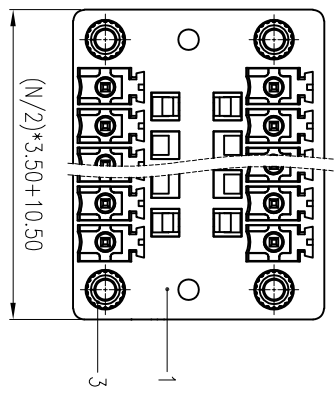
Poles / 极数	Color / 颜色
04: 4Poles	1: Brown / 棕色
06: 6Poles	2: Red / 红色
...	3: Orange / 橙色
48: 48Poles	4: Yellow / 黄色
	5: Green / 绿色
	6: Blue / 蓝色
	7: Purple / 紫色
	8: Grey / 灰色
	9: White / 白色
	A: Black / 黑色

ITEM	NAME OF PART	MATERIAL	NOTES
4	COVER 盖板	PA66	UL94 V-0
3	NUT 螺母	Brass	/
2	PIN HEADER 焊针	Copper Alloy	Sn Plated
1	HOUSING 主体	PA66	UL94 V-0

PART NO.: F8HVM-3.5-XXP-SCX

APP. CHK.	DATE:	DATE:
DRW. T.P.W	DATE: 2023.10.25	
PROJECTION	DARWING TYPE: Customer Drawing	
	UNITS: mm	SCALE: 2:1
		SHEET/OF: 1/1

AINDEWELL 昆山艾尼维尔电子有限公司
KUN SHAN AINDEWELL ELECTRONICS CO.,LTD



Nominal dimension		Tolerances (mm)	
0 to 18	over to 30	±0.35	±0.5
18 to 30	over to 50	±0.7	±0.9
30 to 50	over to 80	±1.0	±1.2
50 to 80	over to 120		
80 to 120	over to 180		
120 to 180	over to 250		
180 to 250	over to 320		