

REV	DESCRIPTION	DRW.	DATE
00	初版发行	T.P.W	2023.12.15

Notes /备注:

1. Electrical properties /电气特性  
UL Standard/UL标准

Use Group /应用组别	B	C	D
Rated Voltage /额定电压 (V)	300	/	300
Rated Current /额定电流 (A)	8	/	8
Withstanding voltage /工频耐电压	AC 1600V/1Min		

IEC Standard/IEC标准

Rated Voltage /额定电压 (V) : 320  
Rated Current /额定电流 (A) : 10

Overvoltage Category /过电压类别 /Pollution Degree /污染等级	II/2	III/2	III/3
Voltage /电压 (V)	320	160	160
Rated Impulse Voltage /冲击耐电压(kV)	2.5	2.5	2.5

3. Environmental safety /环境安全

Operating temperature /工作温度范围 (°C) : -40~+105  
RoHS compliant /符合RoHS环保要求

Part No./料号说明:  
F8HV-3.5-XXP-SCX

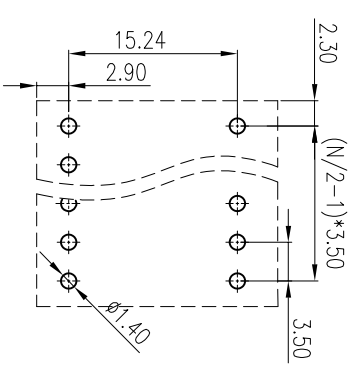
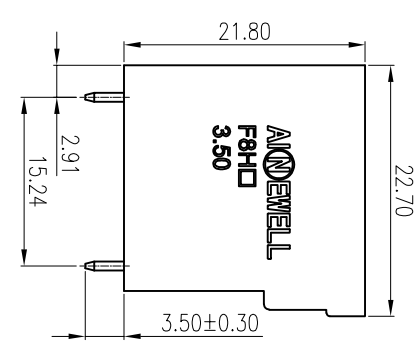
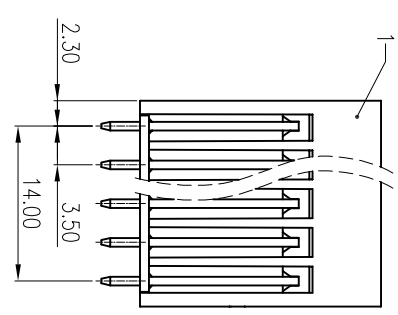
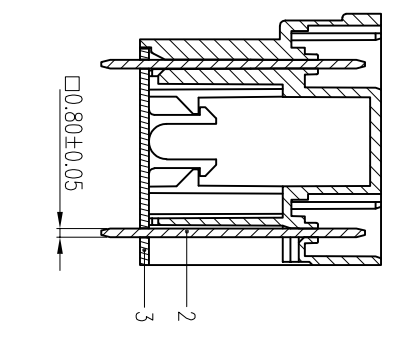
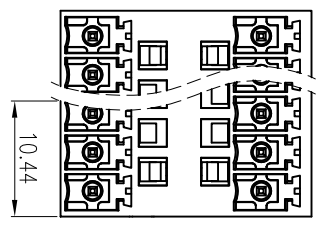
Poles /极数	Color /颜色
04: 4Poles	1: Brown /棕色
06: 6Poles	2: Red /红色
...	3: Orange /橙色
48: 48Poles	4: Yellow /黄色
	5: Green /绿色
	6: Blue /蓝色
	7: Purple /紫色
	8: Grey /灰色
	9: White /白色
	A: Black /黑色

ITEM	NAME OF PART	MATERIAL	NOTES
3	COVER 盖板	PA66	UL94 V-0
2	PIN HEADER 焊针	Copper Alloy	Sn Plated
1	HOUSING 主体	PA66	UL94 V-0

PART NO.: F8HV-3.5-XXP-SCX

APP. CHK.	DATE:	DATE:
DRW. T.P.W	DATE: 2023.12.15	
PROJECTION	DARWING TYPE: Customer Drawing	
	UNITS: mm	SCALE: 2:1
		SHEET/OF: 1/1

**AINEWELL** 昆山艾尼维尔电子有限公司  
KUN SHAN AINEWELL ELECTRONICS CO.,LTD



Nominal dimension Tolerances (mm)

0 to 18	18 to 30	30 to 50	50 to 80	80 to 120	120 to 180	180 to 250	250 to 320
±0.25	±0.3	±0.35	±0.5	±0.7	±0.9	±1.0	±1.2