

REV	DESCRIPTION	DRW.	DATE
00	初版发行	T.P.W	2023.10.25

Notes/备注:

1. Electrical properties/电气特性
UL Standard/UL标准

Use Group/应用组别	B	C	D
Rated Voltage/额定电压 (V)	300	/	300
Rated Current/额定电流 (A)	8	/	8
Withstanding voltage/工频耐受电压	AC 1600V/1min		

IEC Standard/IEC标准

Rated Voltage/额定电压 (V): 320
Rated Current/额定电流 (A): 10

Overvoltage Category/过电压类别 /Pollution Degree/污染等级	II/2	III/2	III/3
Voltage/电压 (V)	320	160	160
Rated Impulse Voltage/冲击耐受电压(kV)	2.5	2.5	2.5

3. Environmental safety/环境安全

Operating temperature/工作温度范围(°C): -40~+105
RoHS compliant/符合RoHS环保要求

Part No./料号说明:
F8HR-3.5-XXP-SCX

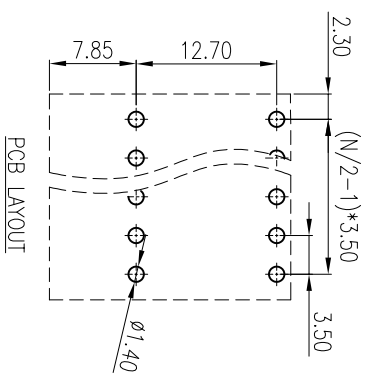
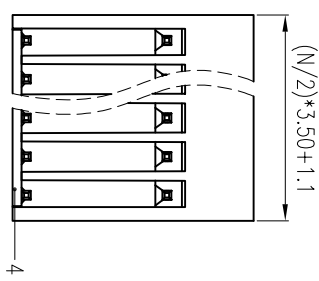
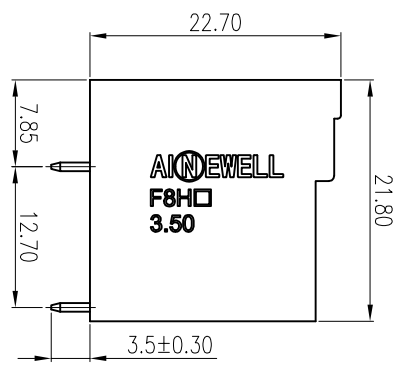
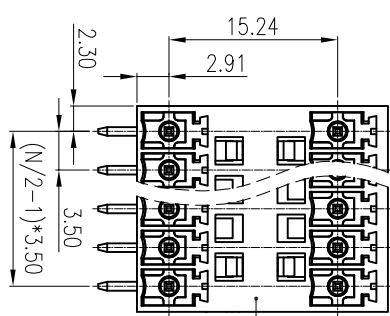
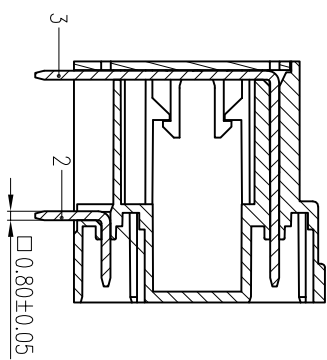
Poles/极性	Color/颜色
04: 4Poles	1: Brown/棕色
06: 6Poles	2: Red/红色
...	3: Orange/橙色
48: 48Poles	4: Yellow/黄色
	5: Green/绿色
	6: Blue/蓝色
	7: Purple/紫色
	8: Grey/灰色
	9: White/白色
	A: Black/黑色

ITEM	NAME OF PART	MATERIAL	NOTES
4	COVER 盖板	PA66	UL94 V-0
3	PIN HEADER 焊针	Copper Alloy	Sn Plated
2	PIN HEADER 焊针	Copper Alloy	Sn Plated
1	HOUSING 主体	PA66	UL94 V-0

PART NO.:
F8HR-3.5-XXP-SCX

APP. CHK.	DATE:	DATE:
DRW. T.P.W	DATE: 2023.10.25	
PROJECTION	DRAWING TYPE: Customer Drawing	
	UNITS: mm	SCALE: 2.1
		SHEET/OF: 1/1

AINDEWELL 昆山艾尼维尔电子有限公司
KUN SHAN AINDEWELL ELECTRONICS CO.,LTD



Nominal dimension Tolerances (mm)									
0 to 18	over to 30	over to 50	over to 80	over to 120	over to 180	over to 250	over to 320		
±0.25	±0.3	±0.35	±0.5	±0.7	±0.9	±1.0	±1.2		