

REV	DESCRIPTION	DRW.	DATE
00	初版发行	T.P.W	2023.10.25

Notes/备注:

- Electrical properties/电气特性  
UL Standard/UL标准

Use Group/应用组别	B	C	D
Rated Voltage/额定电压 (V)	300	/	300
Rated Current/额定电流 (A)	8	/	8
Withstanding voltage/工频耐电压	AC 1600V/1Min		

IEC Standard/IEC标准

Rated Voltage/额定电压 (V): 320  
Rated Current/额定电流 (A): 10

Overvoltage Category/过电压类别 /Pollution Degree/污染等级	II/2	III/2	III/3
Voltage/电压 (V)	320	160	160
Rated Impulse Voltage/冲击耐电压(kV)	2.5	2.5	2.5

3. Environmental safety/环境安全

Operating temperature/工作温度范围(°C): -40~+105  
RoHS compliant/符合RoHS环保要求

Part No./料号说明:  
F8HRM-3.5-XXP-SCX

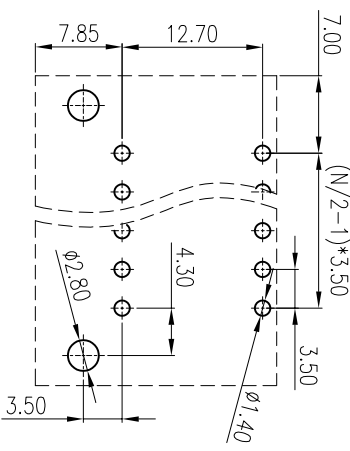
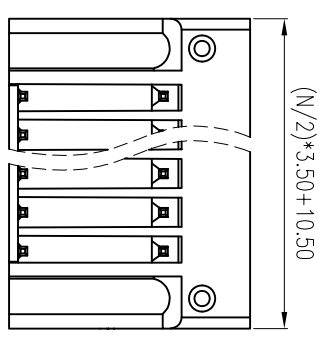
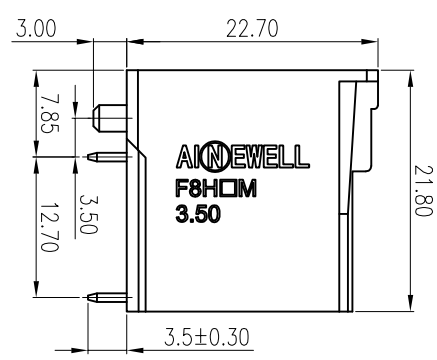
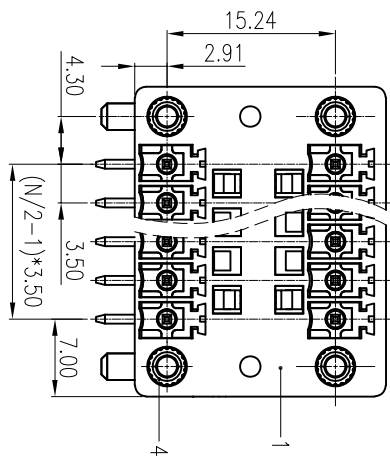
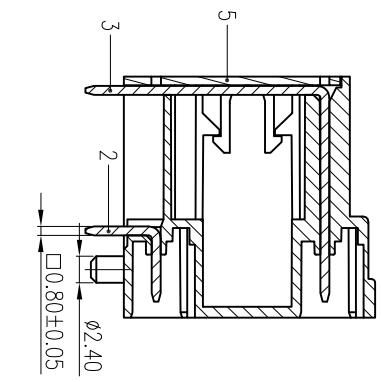
Poles/极数	Color/颜色
04:4Poles	1: Brown/棕色
06:6Poles	2: Red/红色
..	3: Orange/橙色
48:48Poles	4: Yellow/黄色
	5: Green/绿色
	6: Blue/蓝色
	7: Purple/紫色
	8: Grey/灰色
	9: White/白色
	A: Black/黑色

ITEM	NAME OF PART	MATERIAL	NOTES
5	COVER 盖板	PA66	UL94 V-0
4	NUT 螺母	Copper Alloy	/
3	PIN HEADER 焊针	Copper Alloy	Sn Plated
2	PIN HEADER 焊针	Copper Alloy	Sn Plated
1	HOUSING 主体	PA66	UL94 V-0

PART NO.: F8HRM-3.5-XXP-SCX

APP. CHK.	DATE:	DATE:
DRW. T.P.W	DATE: 2023.10.25	
PROJECTION	DARWING TYPE: Customer Drawing	
UNITS: mm	SCALE: 2:1	SHEET/OF: 1/1

**AINEWELL** 昆山艾尼维尔电子有限公司  
KUN SHAN AINEWELL ELECTRONICS CO.,LTD



Nominal dimension Tolerances (mm)										
0 to 18	over 18 to 30	±0.25	±0.3	30 to 50	over 50 to 80	±0.35	±0.5	80 to 120	over 120 to 180	±0.7
18 to 30	over 30 to 50	±0.3	±0.35	50 to 80	over 80 to 120	±0.5	±0.7	120 to 180	over 180 to 250	±0.9
30 to 50	over 50 to 80	±0.35	±0.5	80 to 120	over 120 to 180	±0.5	±0.7	180 to 250	over 250 to 320	±1.0
50 to 80	over 80 to 120	±0.5	±0.7	120 to 180	over 180 to 250	±0.7	±1.0	250 to 320	over 320	±1.2

PCB LAYOUT