

REV	DESCRIPTION	DRW.	DATE
00	初版发行	M.C.N	2022.10.10

Notes/备注:

1. Electrical properties/电气特性  
UL Standard/UL 标准

Use Group/应用组别	B	C	D
Rated Voltage/额定电压 (V)	300	50	300
Rated Current/额定电流 (A)	8	8	8
Withstanding voltage/工频耐电压	AC 1600V/1Min		

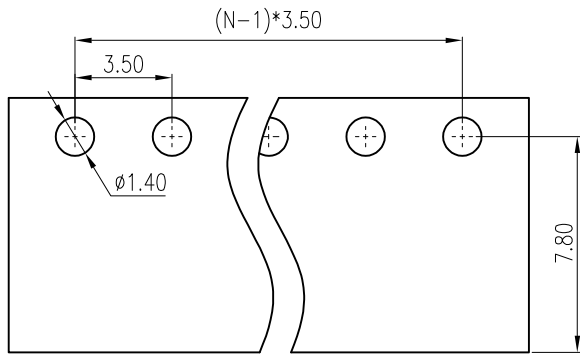
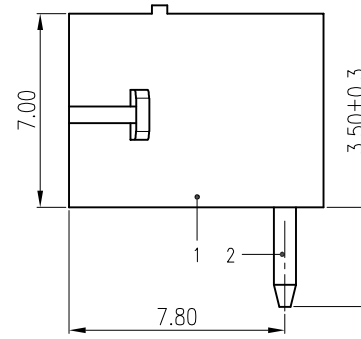
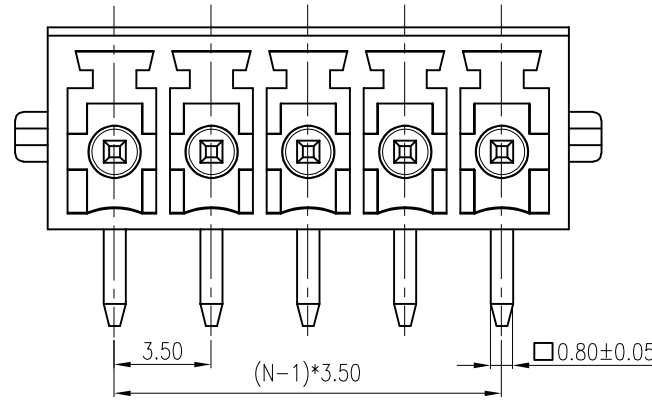
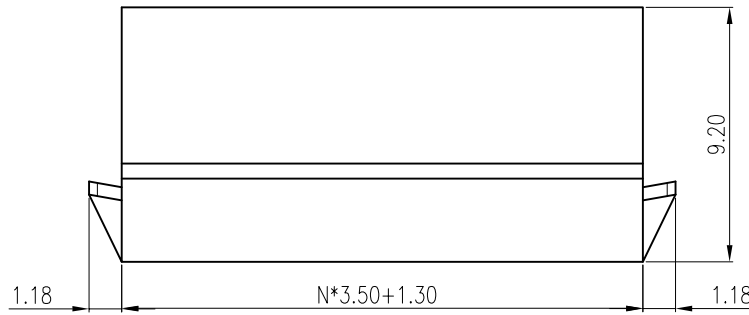
IEC Standard/IEC 标准

Rated Voltage/额定电压 (V): 320  
Rated Current/额定电流 (A): 8

Overvoltage Category/过电压类别 /Pollution Degree/污染等级	II/2	III/2	III/3
Voltage/电压 (V)	320	160	160
Rated Impulse Voltage/冲击耐电压(KV)	2.5	2.5	2.5

2. Environmental safety/环境安全

Operating temperature/工作温度范围(°C): -40~+105  
RoHS compliant/符合RoHS环保要求



PCB LAYOUT

Part No./料号说明:

F8A-3G-3.5-XXP-X

Poles/P数  
02: 2Poles  
03: 3Poles  
...  
24: 24Poles

Color/颜色  
1: Brown/棕色 6: Blue/蓝色  
2: Red/红色 7: Purple/紫色  
3: Orange/橙色 8: Grey/灰色  
4: Yellow/黄色 9: White/白色  
5: Green/绿色 A: Black/黑色

ITEM	NAME OF PART	MATERIAL	NOTES
2	PIN HEADER 焊针	Copper Alloy	Sn Plated
1	HOUSING 主体	PA66	UL94 V-0

Nominal dimension Tolerances (mm)							
0	over 18	over 30	over 50	over 80	over 120	over 180	over 250
to 18	to 30	to 50	to 80	to 120	to 180	to 250	to 320
	±0.25	±0.3	±0.35	±0.5	±0.7	±0.9	±1.0

APP.	DATE:	PART NO.: <b>F8A-3G-3.5-XXP-X</b>	
CHK.	DATE:		
DRW. M.C.M	DATE: 2022.10.10	DARWING TYPE: Customer Drawing	
PROJECTION		UNITS: mm	SCALE: 5:1 SHEET/OF: 1/1
<b>AINEWELL</b>		昆山艾尼维尔电子有限公司 KUN SHAN AINEWELL ELECTRONICS CO.,LTD	